

Operating Instructions

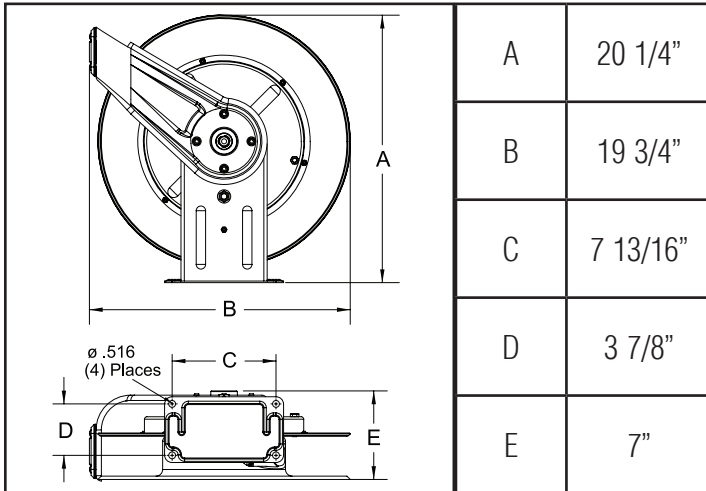
Series 7000 Spring Driven Hose Reels

Low, Medium and High Pressure Model Numbers:

| | | | | |
|--------------------------|-----------------------------|--------------------------|--------------------------|---------------------------------|
| 7600 OLP | 7830 OLP | 7925 OLP | 7830 OMP | 7600 OHP |
| 7640 OLP | 7840 OLP | 7600 OMP | 7840 OMP | 7640 OHP |
| 7650 OLP | 7850 OLP | 7630 OMP | 7850 OMP | 7650 OHP |
| 7607 OLP | 7850 OLP121 | 7640 OMP | 7400 OHP | 7650 OLP-HTH |
| 7670 OLP | 7850 OLP57 | 7650 OMP | 7440 OHP | 7850 OLP-HTH121 |
| 7800 OLP | 7900 OLP | 7800 OMP | 7450 OHP | 7925 OLP-HTH |



Dimensions



IMPORTANT

Read this manual carefully before installing, operating or servicing this equipment.

SAFETY

Personal injury and/or equipment damage may result if proper safety precautions are not observed.

- Ensure that reel is properly installed before connecting input and output hoses.
- Bleed fluid/gas pressure from system before servicing reel.
- Before connecting reel to supply line, ensure that pressure does not exceed maximum working pressure rating of reel.
- Remember, even low pressure is very dangerous and can cause personal injury or death.
- Be aware of machinery and personnel in work area.
- If a leak occurs in the hose or reel, remove system pressure immediately.
- A high tension spring assembly is contained within the reel. Exercise extreme caution.
- Pull hose from reel by grasping the hose itself, not the control valve.
- Ensure that reel, hose, and equipment being serviced are properly grounded. Use an ohmmeter to check ground continuity.
- If reel ceases to unwind or rewind, remove system pressure immediately. Do not pull or jerk on hose!
- Treat and respect the hose reel as any other piece of machinery, observing all common safety practices.

Form# 829-696A Rev: 6/2019

INSTALLATION INSTRUCTIONS

MOUNTING

Caution: Unless reel was specified differently when ordering, maximum installation height is 16 feet. Do not exceed this distance.

1. Unpack and inspect reel for damage. Turn by hand to check for smooth operation. Check for completeness.
2. Configure reel for top, side or bottom-wind hose dispensing by removing nuts (1) securing guide arm bracket (2). Position guide arm bracket to desired location, and replace nuts.

Caution: When changing guide arm positions, the U-bolt must be placed in the proper location as instructed in figure A below. The reel can “latch out” during use if this instruction is not adhered to.

3. Position reel on floor, wall, or ceiling. Secure into place using four (customer supplied) bolts (3).

INSTALLING THE INPUT HOSE(S)

Warning: Ensure that supply line pressure does not exceed maximum working pressure rating of reel. Apply pipe thread sealant to all threads.

Caution: Use flexible hose connection at input. Do not use rigid plumbing.

1. Connect supply line hose (4) to main shaft input (5) as indicated in illustration.

INSTALLING THE OUTPUT HOSE(S)

Warning: Use extreme caution; reel under tension. Avoid releasing latch mechanism. Apply pipe thread sealant to all threads.

1. Manually turn sheave (10) until spring is tight, back off 3 turns, then latch.
2. Route output hose(s) (11) through guide arm bracket (2), U-bolts (12), then through cutout (13) in spool as indicated in illustration.
3. Connect output hose(s) (11) to swivel (14) as indicated in illustration.
4. Tighten U-bolts (12).
5. Charge hose(s). Momentarily open control valve to purge hose(s) of gases. When fluid appears at control valve, close valve. With hose(s) fully charged, release latch and wind output hose(s) onto reel.

ADJUSTMENTS

Warning: Use extreme caution; reel under tension. Avoid releasing latch mechanism. If necessary, adjust spring tension on reel by adding or removing wraps of hose from spool, one wrap at a time, until desired tension is obtained. Add wraps to increase tension. Remove wraps to decrease tension.

SERVICE INSTRUCTIONS

User servicing of the reel is limited to replacing input/output hoses only. Refer all other repairs to an authorized service person or directly to Reelcraft. Failure to do so can result in personal injury and/or equipment damage and may void the warranty. **Warning:** Rewind hose on reel, then bleed pressure from system before performing the following procedures.

1. Replace hoses in accordance with procedures given in “Installation Instructions” section of this manual.

Caution: When replacing drive spring, hold the center of the spring down as the hub is pulled out. If the center is allowed to raise up, the spring may escape from it’s container with enough force to cause injuries.

When disposing of old or broken spring assemblies, the coils should be welded or wired together to prevent possible injury to scrap handling personnel.

2. All mating moving parts are to be lubricated with Perma Bond or Loctite anti-seize compound.

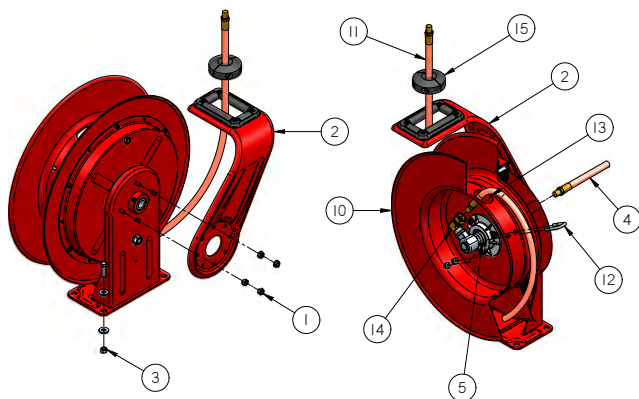
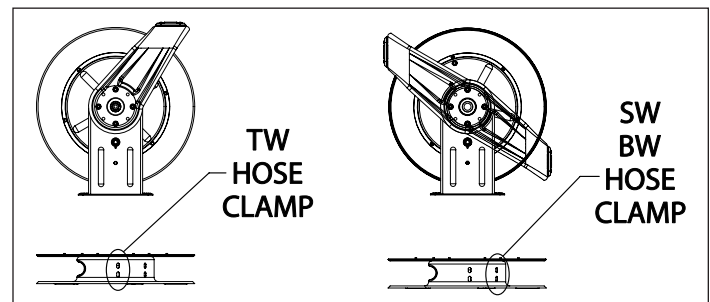
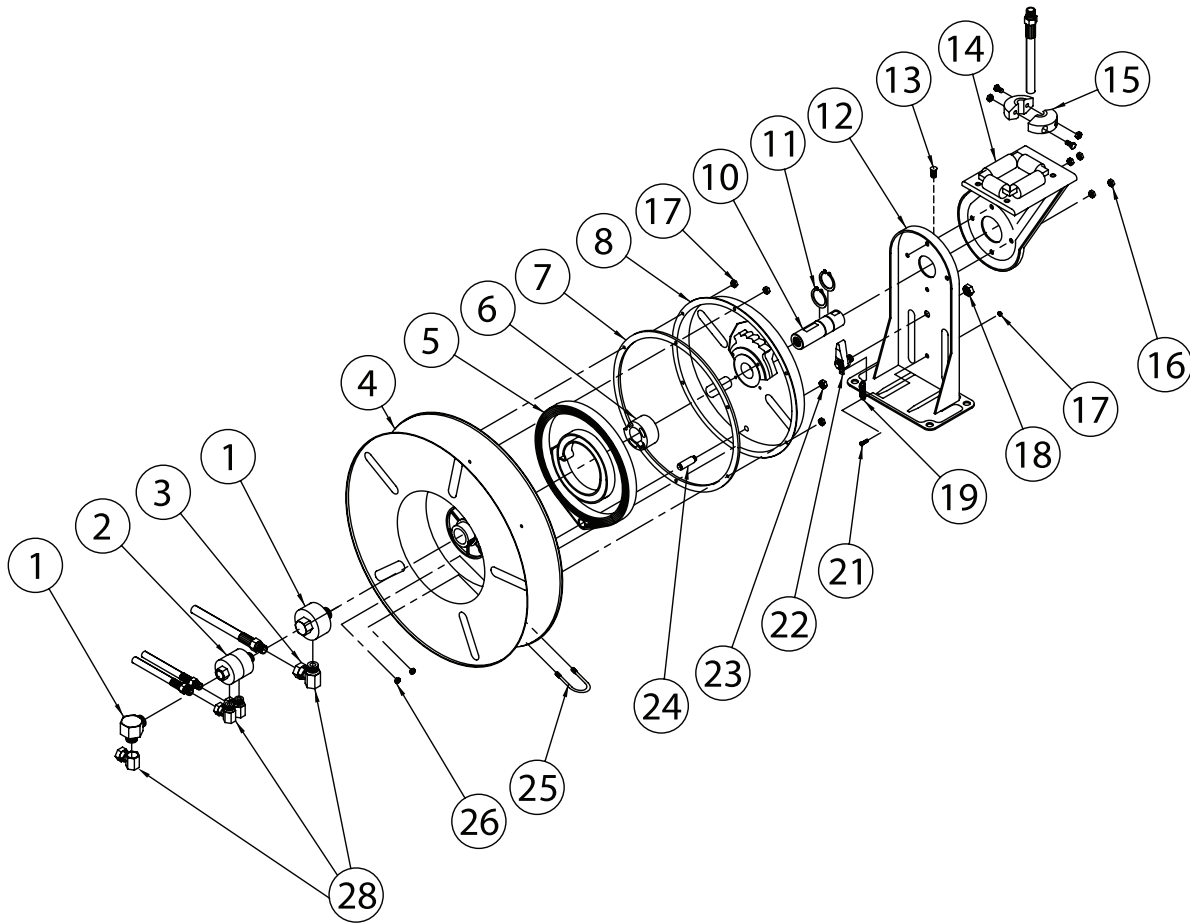


Figure A



Series 7000 Spring Driven Hose Reels



| Item # | Description | # Req. | 7600 OLP | 7640 OLP | 7650 OLP | 7607 OLP | 7670 OLP | 7800 OLP | 7830 OLP | 7840 OLP |
|----------------------------|------------------------|--------|-------------|-------------|-------------|-------------|-------------|-------------|-------------|-------------|
| 1 | Swivel Assembly | 1 | S600888-1 | S600888-1 | S600888-1 | S600888-1 | S600888-1 | S600888-1 | S600888-1 | S600888-1 |
| 3 | 90° Ell | 1 | None | None | None | None | None | None | None | None |
| 4 | Sheave Assembly | 1 | S260011 | S260011 | S260011 | S260011 | S260011 | S260011 | S260011 | S260011 |
| 5 | Drive Spring Assembly | 1 | S260028 | S260028-1 | 260028-1 | S260028 | S260028 | S260037 | S260037 | S260037 |
| 6 | Spring Arbor Assembly | 1 | S600621 | S600621 | S600621 | S600621 | S600621 | S600621 | S600621 | S600621 |
| 7 | Gasket | 1 | S260069 | S260069 | S260069 | S260069 | S260069 | S260069 | S260069 | S260069 |
| 8 | Spring Case Assembly | 1 | S260074 | S260074 | S260074 | S260074 | S260074 | S260074 | S260074 | S260074 |
| 10 | Main Shaft | 1 | 602231 | 602231 | 602231 | 602231 | 602231 | 602231 | 602231 | 602231 |
| 11 | 1 1/4" Snap Ring | 2 | 300007 | 300007 | 300007 | 300007 | 300007 | 300007 | 300007 | 300007 |
| 12 | Base Assembly | 1 | S600016 | S600016 | S600016 | S600016 | S600016 | S600016 | S600016 | S600016 |
| 13 | 1/2-13 Set Screw | 1 | S35-84 | S35-84 | S35-84 | S35-84 | S35-84 | S35-84 | S35-84 | S35-84 |
| 14 | Guide arm with Rollers | 1 | S600017 | S600017 | S600017 | S600017 | S600017 | S600017 | S600017 | S600017 |
| 15 | Bumper Stop Assembly | 1 | None | 1-HR1004-3 | 1-HR1004-3 | None | 1-HR1004-3 | None | 2-HR1004-3 | 2-HR1004-3 |
| 16 | 5/16-18 Locknut | 4 | 300107 | 300107 | 300107 | 300107 | 300107 | 300107 | 300107 | 300107 |
| 17 | 10-32 x 3/8" Nyloc Nut | 7 | S82-15 | S82-15 | S82-15 | S82-15 | S82-15 | S82-15 | S82-15 | S82-15 |
| 18 | 1/2-20 x 5/8" Hex Nut | 1 | S280-8 | S280-8 | S280-8 | S280-8 | S280-8 | S280-8 | S280-8 | S280-8 |
| 19 | Latch Spring | 1 | S260067 | S260067 | S260067 | S260067 | S260067 | S260067 | S260067 | S260067 |
| 21 | 10-32 Shoulder Screw | 1 | S393-2 | S393-2 | S393-2 | S393-2 | S393-2 | S393-2 | S393-2 | S393-2 |
| 22 | Latch Pawl Assembly | 1 | S600018 | S600018 | S600018 | S600018 | S600018 | S600018 | S600018 | S600018 |
| 23 | 3/8-24 Jam Nut | 1 | S76-106 | S76-106 | S76-106 | S76-106 | S76-106 | S76-106 | S76-106 | S76-106 |
| 24 | Spring Case Stud | 1 | S260031 | S260031 | S260031 | S260031 | S260031 | S260031 | S260031 | S260031 |
| 25 | U-bolt | 1 | 3-117440 | 3-117440 | 3-117440 | 3-117440 | 3-117440 | 3-117440 | 3-117440 | 3-117440 |
| 26 | 1/4-20 x 3/8" Locknut | 2 | 261650-1 | 261650-1 | 261650-1 | 261650-1 | 261650-1 | 261650-1 | 261650-1 | 261650-1 |
| 28 | Swivel Union | 1 | S257-26 | S257-26 | S257-26 | S257-26 | S257-26 | S257-26 | S257-26 | S257-26 |
| Hose Assembly | | | None | 601014-40 | 601017-50 | None | 601017-70 | None | 601021-30 | 601019-40 |
| Hose I.D. x Length | | | None | 3/8" x 40' | 3/8" x 50' | None | 3/8" x 70' | None | 1/2" x 30' | 1/2" x 40' |
| Reel Inlet Connection | | | 1/2" NPT(F) | 1/2" NPT(F) | 1/2" NPT(F) | 1/2" NPT(F) | 1/2" NPT(F) | 1/2" NPT(F) | 1/2" NPT(F) | 1/2" NPT(F) |
| Max. Operating Pressure | | | 500 PSI | 300 PSI | 300 PSI | 500 PSI | 300 PSI | 500 PSI | 300 PSI | 300 PSI |
| Max. Operating Temperature | | | 210 °F | 150 °F | 150 °F | 210 °F | 150 °F | 210 °F | 150 °F | 150 °F |

Series 7000 Spring Driven Hose Reels

| Item # | Description | # Req. | 7850 OLP | 7850 OLP121 | 7850 OLPSW57 | 7900 OLP | 7925 OLP | 7600 OMP | 7630 OMP | 7640 OMP |
|----------------------------|------------------------|--------|-------------|-------------|--------------|-------------|-------------|-------------|-------------|-------------|
| 1 | Swivel Assembly | 1 | S600888-1 | S600888-1 | S600888-1 | S602026 | S602026 | S602033 | S602033 | S602033 |
| 3 | 90° Ell | 2 | None | None | None | S159-5 | S159-5 | None | None | None |
| 4 | Sheave Assembly | 1 | S260011 | S260011 | S260011 | S260011 | S260011 | S260011 | S260011 | S260011 |
| 5 | Drive Spring Assembly | 1 | S260037 | S260037 | S260037 | S600023 | S600023 | S260053 | S260053 | S260053 |
| 6 | Spring Arbor Assembly | 1 | S600621 | S600621 | S600621 | S600621 | S600621 | S600621 | S600621 | S600621 |
| 7 | Gasket | 1 | S260069 | S260069 | S260069 | S260069 | S260069 | S260069 | S260069 | S260069 |
| 8 | Spring Case Assembly | 1 | S260074 | S260074 | S260074 | S260074 | S260074 | S260074 | S260074 | S260074 |
| 10 | Main Shaft | 1 | 602231 | 602231 | 602231 | 602231-1 | 602231-1 | 602231 | 602231 | 602231 |
| 11 | 1 1/4" Snap Ring | 2 | 300007 | 300007 | 300007 | 300007 | 300007 | 300007 | 300007 | 300007 |
| 12 | Base Assembly | 1 | S600016 | 600012 | 600016 | 600016 | 600016 | 600016 | 600016 | 600016 |
| 13 | 1/2-13 Set Screw | 1 | S35-84 | S35-84 | S35-84 | S35-84 | S35-84 | S35-84 | S35-84 | S35-84 |
| 14 | Guide arm with Rollers | 1 | S600017 | S600017 | S600017 | S600017 | S600017 | S600017 | S600017 | S600017 |
| 15 | Bumper Stop Assembly | 1 | 2-HR1004-3 | 2-HR1004-3 | 2-HR1004-3 | None | 3-HR1004-3 | None | 1-HR1004-3 | 1-HR1004-3 |
| 16 | 5/16-18 Locknut | 4 | 300107 | 300107 | 300107 | 300107 | 300107 | 300107 | 300107 | 300107 |
| 17 | 10-32 x 3/8" Nyloc Nut | 7 | S82-15 | S82-15 | S82-15 | S82-15 | S82-15 | S82-15 | S82-15 | S82-15 |
| 18 | 1/2-20 x 5/8" Hex Nut | 1 | S280-8 | S280-8 | S280-8 | S280-8 | S280-8 | S280-8 | S280-8 | S280-8 |
| 19 | Latch Spring | 1 | S260067 | S260067 | S260067 | S260067 | S260067 | S260067 | S260067 | S260067 |
| 21 | 10-32 Shoulder Screw | 1 | S393-2 | S393-2 | S393-2 | S393-2 | S393-2 | S393-2 | S393-2 | S393-2 |
| 22 | Latch Pawl Assembly | 1 | S600018 | S600018 | S600018 | S600018 | S600018 | S600018 | S600018 | S600018 |
| 23 | 3/8-24 Jam Nut | 1 | S76-106 | S76-106 | S76-106 | S76-106 | S76-106 | S76-106 | S76-106 | S76-106 |
| 24 | Spring Case Stud | 1 | S260031 | S260031 | S260031 | S260031 | S260031 | S260031 | S260031 | S260031 |
| 25 | U-bolt | 1 | 3-117440 | 3-117440 | 3-117440 | 5-117440 | 5-117440 | 3-117440 | 3-117440 | 3-117440 |
| 26 | 1/4-20 x 3/8" Locknut | 2 | 261650-1 | 261650-1 | 261650-1 | 261650-1 | 261650-1 | 261650-1 | 261650-1 | 261650-1 |
| 28 | Swivel Union | 1 | S257-26 | S257-26 | S257-26 | None | None | S257-26 | S257-26 | S257-26 |
| Hose Assembly | | | 601021-50 | 601022-50 | S601053-50 | None | 601026-25 | None | 3-260043 | 4-260043 |
| Hose I.D. x Length | | | 1/2" x 50' | 1/2" x 50' | 1/2" x 50' | None | 3/4" x 25' | None | 3/8" x 30' | 3/8" x 40' |
| Reel Inlet Connection | | | 1/2" NPT(F) | 1/2" NPT(F) | 3/4" NH | 3/4" NPT(F) | 3/4" NPT(F) | 1/2" NPT(F) | 1/2" NPT(F) | 1/2" NPT(F) |
| Max. Operating Pressure | | | 300 PSI | 300 PSI | 300 PSI | 500 PSI | 250 PSI | 3000 PSI | 2600 PSI | 2600 PSI |
| Max. Operating Temperature | | | 150 °F | 150 °F | 150 °F | 210 °F | 150 °F | 210 °F | 210 °F | 210 °F |

| Item # | Description | # Req. | 7650 OMP | 7800 OMP | 7830 OMP | 7840 OMP | 7850 OMP | 7400 OHP | 7440 OHP |
|----------------------------|------------------------|--------|-------------|-------------|-------------|-------------|-------------|-------------|-------------|
| 1 | Swivel Assembly | 1 | S602033 | S602033 | S602033 | S602033 | S602033 | S602033 | S602033 |
| 3 | 90° Ell | 1 | None | None | None | None | None | None | None |
| 4 | Sheave Assembly | 1 | S260011 | S260011 | S260011 | S260011 | S260011 | S600364 | S600364 |
| 5 | Drive Spring Assembly | 1 | S260053 | S260053 | S260053 | S260053 | S260053 | S260053 | S260053 |
| 6 | Spring Arbor Assembly | 1 | S600621 | S600621 | S600621 | S600621 | S600621 | S600621 | S600621 |
| 7 | Gasket | 1 | S260069 | S260069 | S260069 | S260069 | S260069 | S260069 | S260069 |
| 8 | Spring Case Assembly | 1 | S260074 | S260074 | S260074 | S260074 | S260074 | S260074 | S260074 |
| 10 | Main Shaft | 1 | 602231 | 602231 | 602231 | 602231 | 602231 | 602231 | 602231 |
| 11 | 1 1/4" Snap Ring | 2 | 300007 | 300007 | 300007 | 300007 | 300007 | 300007 | 300007 |
| 12 | Base Assembly | 1 | 600016 | 600016 | 600016 | S600016 | S600016 | S600016 | S600016 |
| 13 | 1/2-13 Set Screw | 1 | S35-84 | S35-84 | S35-84 | S35-84 | S35-84 | S35-84 | S35-84 |
| 14 | Guide arm with Rollers | 1 | S600017 | S600017 | S600017 | S600017 | S600017 | S600017 | S600017 |
| 15 | Bumper Stop Assembly | 1 | 1-HR1004-3 | None | 2-HR1004-3 | 2-HR1004-3 | 2-HR1004-3 | None | 1-HR1004-3A |
| 16 | 5/16-18 Locknut | 4 | 300107 | 300107 | 300107 | 300107 | 300107 | 300107 | 300107 |
| 17 | 10-32 x 3/8" Nyloc Nut | 7 | S82-15 | S82-15 | S82-15 | S82-15 | S82-15 | S82-15 | S82-15 |
| 18 | 1/2-20 x 5/8" Hex Nut | 1 | S280-8 | S280-8 | S280-8 | S280-8 | S280-8 | S280-8 | S280-8 |
| 19 | Latch Spring | 1 | S260067 | S260067 | S260067 | S260067 | S260067 | S260067 | S260067 |
| 21 | 10-32 Shoulder Screw | 1 | S393-2 | S393-2 | S393-2 | S393-2 | S393-2 | S393-2 | S393-2 |
| 22 | Latch Pawl Assembly | 1 | S600018 | S600018 | S600018 | S600018 | S600018 | S600018 | S600018 |
| 23 | 3/8-24 Jam Nut | 1 | S76-106 | S76-106 | S76-106 | S76-106 | S76-106 | S76-106 | S76-106 |
| 24 | Spring Case Stud | 1 | S260031 | S260031 | S260031 | S260031 | S260031 | S260031 | S260031 |
| 25 | U-bolt | 1 | 3-117440 | 3-117440 | 3-117440 | 3-117440 | 3-117440 | 3-117440 | 3-117440 |
| 26 | 1/4-20 x 3/8" Locknut | 2 | 261650-1 | 261650-1 | 261650-1 | 261650-1 | 261650-1 | 261650-1 | 261650-1 |
| 28 | Swivel Union | 1 | S257-26 | S257-26 | S257-26 | S257-26 | S257-26 | S257-72 | S257-72 |
| Hose Assembly | | | 5-260043 | None | 6-260043 | 7-260043 | 8-260043 | None | 8-260044 |
| Hose I.D. x Length | | | 3/8" x 50' | None | 1/2" x 30' | 1/2" x 40' | 1/2" x 50' | None | 1/4" x 40' |
| Reel Inlet Connection | | | 1/2" NPT(F) | 1/2" NPT(F) | 1/2" NPT(F) | 1/2" NPT(F) | 1/2" NPT(F) | 1/4" NPT(F) | 1/4" NPT(F) |
| Max. Operating Pressure | | | 2600 PSI | 3250 PSI | 3250 PSI | 3250 PSI | 3250 PSI | 5000 PSI | 5000 PSI |
| Max. Operating Temperature | | | 210 °F | 210 °F | 210 °F | 210 °F | 210 °F | 210 °F | 210 °F |

Series 7000 Spring Driven Hose Reels

| Item # | Description | # Req. | 7450 OHP | 7600 OHP | 7640 OHP | 7650 OHP | 7650 OLP-HTH | 7850 OLP-HTH121 | 7925 OLP-HTH |
|----------------------------|------------------------|--------|-------------|-------------|-------------|-------------|--------------------------------|--------------------------------|--------------------------------|
| 1 | Swivel Assembly | 1 | S602033 | S602033 | S602033 | S602033 | S600923-1 | S600923-1 | S602026-1 |
| 3 | 90° Ell | 1 | None | None | None | None | None | None | S157-4 |
| 4 | Sheave Assembly | 1 | S600364 | S260011 | S260011 | S260011 | S260011 | S260011 | S260011 |
| 5 | Drive Spring Assembly | 1 | S260053 | S260053 | S260053 | S260053 | 260028-1 | 260037 | 600023 |
| 6 | Spring Arbor Assembly | 1 | S600621 | S600621 | S600621 | S600621 | S600621 | S600621 | S600621 |
| 7 | Gasket | 1 | S260069 | S260069 | S260069 | S260069 | S260069 | S260069 | S260069 |
| 8 | Spring Case Assembly | 1 | S260074 | S260074 | S260074 | S260074 | S260074 | S260074 | S260074 |
| 10 | Main Shaft | 1 | 602231 | 602231 | 602231 | 602231 | 602231 | 602231 | 602231-1 |
| 11 | 1 1/4" Snap Ring | 2 | 300007 | 300007 | 300007 | 300007 | 300007 | 300007 | 300007 |
| 12 | Base Assembly | 1 | S600016 | S600016 | S600016 | S600016 | S600016 | S600016 | S600016 |
| 13 | 1/2-13 Set Screw | 1 | S35-84 | S35-84 | S35-84 | S35-84 | S35-84 | S35-84 | S35-84 |
| 14 | Guide arm with Rollers | 1 | S600017 | S600017 | S600017 | S600017 | S600017 | S600017 | S600017 |
| 15 | Bumper Stop Assembly | 1 | 1-HR1004-3A | None | 1-HR1004-3 | 1-HR1004-3 | 1-HR1004-3 | 2-HR1004-3 | 3-HR1004-3 |
| 16 | 5/16-18 Locknut | 4 | 300107 | 300107 | 300107 | 300107 | 300107 | 300107 | 300107 |
| 17 | 10-32 x 3/8" Nyloc Nut | 7 | S82-15 | S82-15 | S82-15 | S82-15 | S82-15 | S82-15 | S82-15 |
| 18 | 1/2-20 x 5/8" Hex Nut | 1 | S280-8 | S280-8 | S280-8 | S280-8 | S280-8 | S280-8 | S280-8 |
| 19 | Latch Spring | 1 | S260067 | S260067 | S260067 | S260067 | S260067 | S260067 | S260067 |
| 21 | 10-32 Shoulder Screw | 1 | S393-2 | S393-2 | S393-2 | S393-2 | S393-2 | S393-2 | S393-2 |
| 22 | Latch Pawl Assembly | 1 | S600018 | S600018 | S600018 | S600018 | S600018 | S600018 | S600018 |
| 23 | 3/8-24 Jam Nut | 1 | S76-106 | S76-106 | S76-106 | S76-106 | S76-106 | S76-106 | S76-106 |
| 24 | Spring Case Stud | 1 | S260031 | S260031 | S260031 | S260031 | S260031 | S260031 | S260031 |
| 25 | U-bolt | 1 | 3-117440 | 3-117440 | 3-117440 | 3-117440 | 3-117440 | 3-117440 | 3-117440 |
| 26 | 1/4-20 x 3/8" Locknut | 2 | 261650-1 | 261650-1 | 261650-1 | 261650-1 | 261650-1 | 261650-1 | 261650-1 |
| 28 | Swivel Union | 1 | S257-72 | S257-72 | S257-72 | S257-72 | S257-72 | S257-72 | S257-72 |
| Hose Assembly | | | 9-260044 | None | 4-260044 | 5-260044 | 601143-50 | 601148-50 | 601146-25 |
| Hose I.D. x Length | | | 1/4" x 50' | None | 3/8" x 40' | 3/8" x 50' | 3/8" x 50' | 1/2" x 50' | 3/4" x 25' |
| Reel Inlet Connection | | | 1/4" NPT(F) | 1/4" NPT(F) | 1/4" NPT(F) | 1/4" NPT(F) | 1/2" NPT(F) | 1/2" NPT(F) | 3/4" NPT(F) |
| Max. Operating Pressure | | | 5000 PSI | 5000 PSI | 4800 PSI | 4800 PSI | 300 PSI | 300 PSI | 300 PSI |
| Max. Operating Temperature | | | 210 °F | 210 °F | 210 °F | 210 °F | 212 °F (Air) 180 °F (Water) | 212 °F (Air) 180 °F (Water) | 212 °F (Air) 180 °F (Water) |

Instrucciones de Operacion

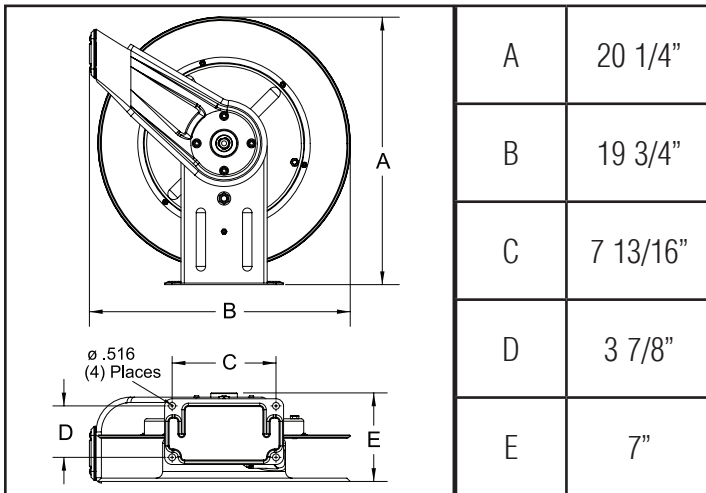
Series 7000 Carreteles para Mangueras

Bajo, medio y números de modelo de alta presión:

| | | | | |
|--------------------------|-----------------------------|--------------------------|--------------------------|---------------------------------|
| 7600 OLP | 7830 OLP | 7925 OLP | 7830 OMP | 7600 OHP |
| 7640 OLP | 7840 OLP | 7600 OMP | 7840 OMP | 7640 OHP |
| 7650 OLP | 7850 OLP | 7630 OMP | 7850 OMP | 7650 OHP |
| 7607 OLP | 7850 OLP121 | 7640 OMP | 7400 OHP | 7650 OLP-HTH |
| 7670 OLP | 7850 OLP57 | 7650 OMP | 7440 OHP | 7850 OLP-HTH121 |
| 7800 OLP | 7900 OLP | 7800 OMP | 7450 OHP | 7925 OLP-HTH |



Dimensiones



IMPORTANTE

Lea este manual detenidamente antes de instalar, operar o dar servicio a este equipo.

Seguridad

Podrían ocurrir lesiones personales y/o daños en el equipo si no se siguen las instrucciones de seguridad adecuadas.

- Asegúrese de que el carretel esté instalado apropiadamente antes de conectar las mangueras de entrada y de salida.
- Purgue la presión de fluidos/gases del sistema antes de suministrar servicio al carretel.
- Antes de conectar el carretel a la línea de suministro, asegúrese de que la presión no exceda la clasificación máxima de la presión operativa del carretel.
- Recuerde que aún la presión baja es muy peligrosa y podría causar lesiones personales o la muerte.
- Esté atento y fíjese si hay maquinaria o personas en el área de trabajo.
- Si existe una fuga en la manguera o en el carretel, elimine inmediatamente la presión del sistema.
- Hay un ensamblaje de resorte de tensión alta en el interior del carretel. Sea extremadamente precavido.
- Jale la manguera del carretel sujetando la manguera, y no la válvula de control.
- Si el carretel deja de desenrollarse o enrollarse, elimine inmediatamente la presión del sistema. ¡No jale ni sacuda la manguera!
- Trate y utilice el carretel de manguera como lo haría con cualquier otra máquina, siguiendo todas las pautas de seguridad generales.

INSTRUCCIONES DE INSTALACIÓN

Montaje

PRECAUCIÓN: A menos de que el carretel haya sido suministrado con características diferentes al ordenarlo, la altura máxima de instalación es de 16 pies. No exceda esta altura.

1. Desempaque e inspeccione si el riel esta dañado. Girelo con la mano suave y revise su integridad.
2. Configure el riel por arriba, abajo o lados, enrrolle el dispensador de la manguera para remover las tuercas (1) Asegurando la guía de soporte de el brazo para escoger el sitio, reemplaze las tuercas.

ATENCIÓN: Al cambiar las posiciones del brazo guía, el perno en U debe colocarse en la posición correcta, como se indica en la figura A. Si no se cumple con esta instrucción, el carrete puede bloquearse durante el uso.

3. Posicione el carretel sobre el piso, pared o techo. Asegurese de instalarlo usando cuatro tornillos (abastecidos al cliente) y (3) tuercas.

INSTALACIÓN DE LA MANGUERA DE ENTRADA

ADVERTENCIA: Asegurece que la linea de abastecimiento de presion no exeda el maximo rango de trabajo de presion de el carretel. Aplique sellante de roscas para tuberia. **PRECAUCION:** Use conexiones de manguera flexible en la entrada. No use tuberia rigida.

1. Conecte la linea de abastecimiento de la manguera (4) a la entrada principal del canal del eje giratorio (5) como se indica en la ilustracion.

INSTALACIÓN DE LA SALIDA DE LA(S) MANGUERA(S)

ADVERTENCIA: Use extrema precaucion; carretel bajo tension. Aplique sellante de roscas para tuberia a todas las roscas estandar.

1. Manualmente gire la rueda exentrica o riel (10) hasta que el resorte este apretado, devuelvalo 3 giros y entonces asegurelo.
2. Encamine la(s) salida(s) de la manguera(s) (11) hasta la guia de soporte de el brazo (2), tornillos-U (12) entonces saquelos atravez (13) del carretel como se indica en la ilustracion.
3. Conecte la(s) salida(s) de la(s) (11) a el eje giratorio (14) como se indica en la ilustracion.
4. Aprite los tornillos-U (12).
5. Cargue las mangueras. Momentaneamente abra la valvula de control para purgar la mangueras de los gases cuando el fluido aparesca en el control de las valvulas, cierre la valvula, Con las mangueras totalmente cardas, suelte el seguro y enrrolle la(s) manguera(s) sobre el carretel.

AJUSTAMIENTOS

ADVERTENCIA: Use extrema precaucion,

carretel bajo tension. Evite soltar el seguro mecanico. Si es necesario, ajuste el resorte de tension de el carretel poiniendo ó quitando vueltas de la manguera del carretel una vuelta a la vez hasta que la tension deseada es obtenida. Adicione vueltas para incrementar la tension. Quite vueltas para decrecer la tension.

INSTRUCCIONES DE SERVICIO

El suministro de servicio por parte del usuario se limita únicamente a reemplazar mangueras de entrada/salida. Remita cualquier otra reparación a un técnico de servicio autorizado o directamente a Reelcraft. El no hacerlo podría resultar en lesiones personales y/o daños del equipo que podrían anular la garantía.

Advertencia: Enrolle la manguera en el carretel, y después purgue la presión del sistema antes de efectuar los siguientes procedimientos. **Precaución:** Elimine toda la tensión del resorte antes de desensamblar el carretel de manguera. No trate de abrir el ensamblaje remachado de la caja de resorte.

1. Reemplace la manguera de acuerdo con los procedimientos de la sección Instrucciones de Instalación de este manual.
2. Todas las partes móviles correspondientes han sido lubricadas adecuadamente en la fábrica.

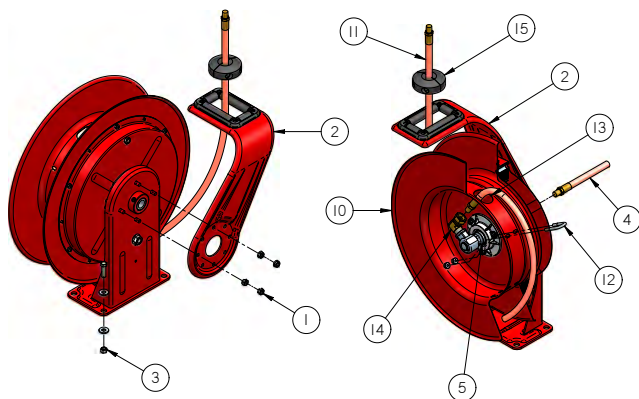
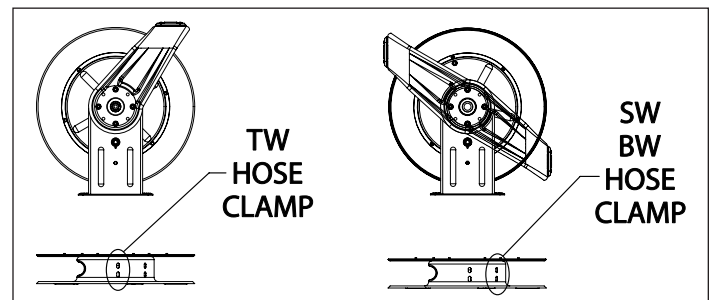
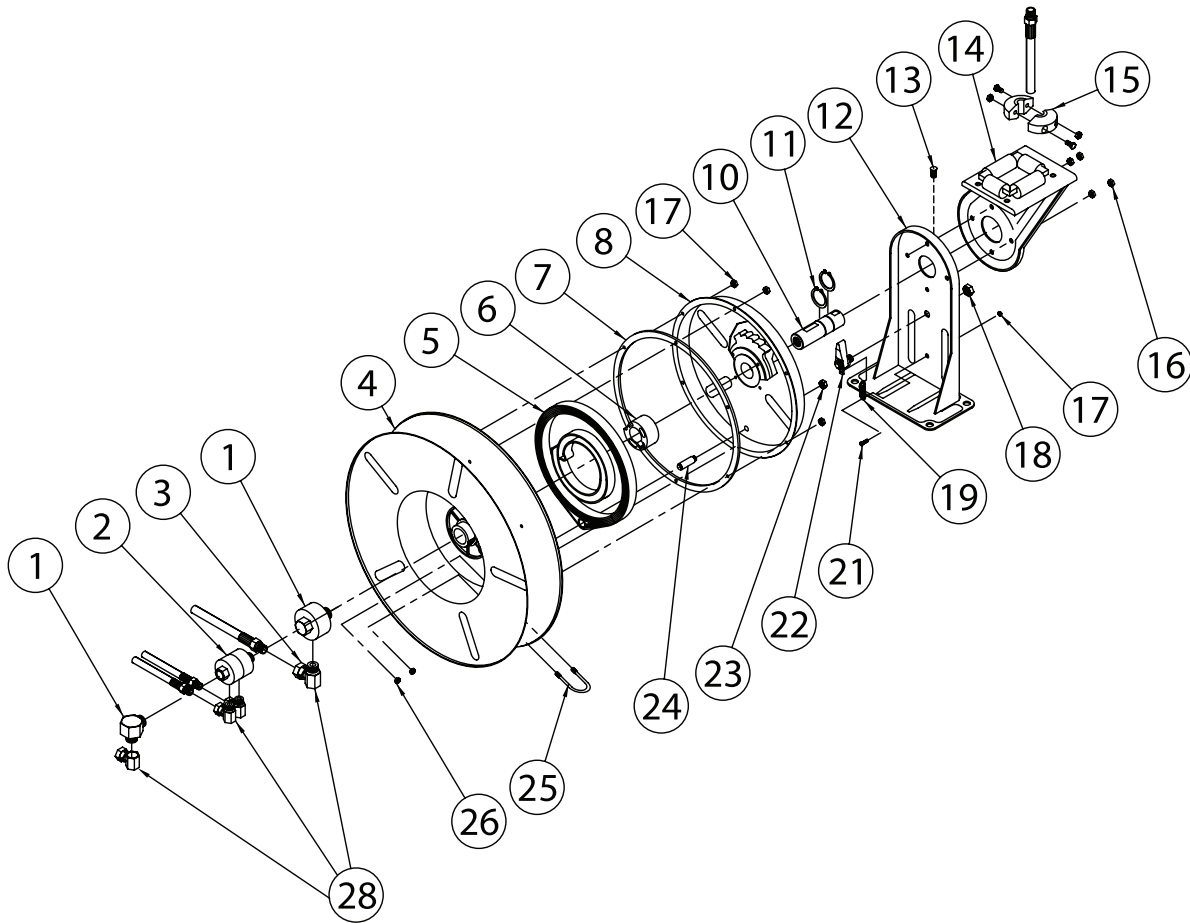


Figura A





| ART. NO. | Descripción | NO. REQ. | 7600 OLP | 7640 OLP | 7650 OLP | 7607 OLP | 7670 OLP | 7800 OLP | 7830 OLP | 7840 OLP |
|----------|----------------------------------|----------|-----------|------------|------------|-----------|------------|-----------|------------|------------|
| 1 | Eje giratorio ensamblado | 1 | S600888-1 | S600888-1 | S600888-1 | S600888-1 | S600888-1 | S600888-1 | S600888-1 | S600888-1 |
| 3 | Codo de 90 grados | 1 | None | None | None | None | None | None | None | None |
| 4 | Polea ensamblada | 1 | S260011 | S260011 | S260011 | S260011 | S260011 | S260011 | S260011 | S260011 |
| 5 | Resorte ensamblado de propulcion | 1 | S260028 | S260028-1 | 260028-1 | S260028 | S260028 | S260037 | S260037 | S260037 |
| 6 | Resorte del arbol | 1 | S600621 | S600621 | S600621 | S600621 | S600621 | S600621 | S600621 | S600621 |
| 7 | Empaque | 1 | S260069 | S260069 | S260069 | S260069 | S260069 | S260069 | S260069 | S260069 |
| 8 | Resorte de la caja ensamblada | 1 | S260074 | S260074 | S260074 | S260074 | S260074 | S260074 | S260074 | S260074 |
| 10 | Columna principal | 1 | 602231 | 602231 | 602231 | 602231 | 602231 | 602231 | 602231 | 602231 |
| 11 | 1 1/4" Anillo de resorte | 2 | 300007 | 300007 | 300007 | 300007 | 300007 | 300007 | 300007 | 300007 |
| 12 | Base ensamblada | 1 | S600016 | S600016 | S600016 | S600016 | S600016 | S600016 | S600016 | S600016 |
| 13 | 1/2-13 T ornillo | 1 | S35-84 | S35-84 | S35-84 | S35-84 | S35-84 | S35-84 | S35-84 | S35-84 |
| 14 | Guia del brazo con rodillos | 1 | S600017 | S600017 | S600017 | S600017 | S600017 | S600017 | S600017 | S600017 |
| 15 | Parachoque ensamblada | 1 | None | 1-HR1004-3 | 1-HR1004-3 | None | 1-HR1004-3 | None | 2-HR1004-3 | 2-HR1004-3 |
| 16 | 5/16-18 Contre écrou | 4 | 300107 | 300107 | 300107 | 300107 | 300107 | 300107 | 300107 | 300107 |
| 17 | 10-32 x 3/8" écrou Nyloc | 7 | S82-15 | S82-15 | S82-15 | S82-15 | S82-15 | S82-15 | S82-15 | S82-15 |
| 18 | 1/2-20 x 5/8" écrou hexagonal | 1 | S280-8 | S280-8 | S280-8 | S280-8 | S280-8 | S280-8 | S280-8 | S280-8 |
| 19 | Ressort de loquet | 1 | S260067 | S260067 | S260067 | S260067 | S260067 | S260067 | S260067 | S260067 |
| 21 | 10-32 tornillo de hombro | 1 | S393-2 | S393-2 | S393-2 | S393-2 | S393-2 | S393-2 | S393-2 | S393-2 |
| 22 | Assemblage de cliquet | 1 | S600018 | S600018 | S600018 | S600018 | S600018 | S600018 | S600018 | S600018 |
| 23 | 3/8-24 contre-écrou | 1 | S76-106 | S76-106 | S76-106 | S76-106 | S76-106 | S76-106 | S76-106 | S76-106 |
| 24 | Boulon de boîtier de ressort | 1 | S260031 | S260031 | S260031 | S260031 | S260031 | S260031 | S260031 | S260031 |
| 25 | Tornillo "u" | 1 | 3-117440 | 3-117440 | 3-117440 | 3-117440 | 3-117440 | 3-117440 | 3-117440 | 3-117440 |
| 26 | 1/4-20 x 3/8" contre-écrou | 2 | 261650-1 | 261650-1 | 261650-1 | 261650-1 | 261650-1 | 261650-1 | 261650-1 | 261650-1 |
| 28 | Union del eje giratorio | 1 | S257-26 | S257-26 | S257-26 | S257-26 | S257-26 | S257-26 | S257-26 | S257-26 |
| | Manguera del ensamblada | | None | 601014-40 | 601017-50 | None | 601017-70 | None | 601021-30 | 601019-40 |
| | Manguera I.D. y Medida | | None | 3/8" x 40' | 3/8" x 50' | None | 3/8" x 70' | None | 1/2" x 30' | 1/2" x 40' |
| | Conexion de Entrada al Carretel | | 1/2" FPT | 1/2" FPT | 1/2" FPT | 1/2" FPT | 1/2" FPT | 1/2" FPT | 1/2" FPT | 1/2" FPT |
| | Max. Presion de Operacion | | 500 PSI | 300 PSI | 300 PSI | 500 PSI | 300 PSI | 500 PSI | 300 PSI | 300 PSI |
| | Max. Temperatura de Operacion | | 210 °F | 150 °F | 150 °F | 210 °F | 150 °F | 210 °F | 150 °F | 150 °F |

Series 7000 Carreteles para Mangueras

| ART. NO. | Descripción | NO. REQ. | 7850 OLP | 7850 OLP121 | 7850 OLP57 | 7900 OLP | 7925 OLP | 7600 OMP | 7630 OMP | 7640 OMP |
|----------------------------------|----------------------------------|----------|------------|-------------|------------|----------|------------|----------|------------|------------|
| 1 | Eje giratorio ensamblado | 1 | S600888-1 | S600888-1 | S600888-1 | S602026 | S602026 | S602033 | S602033 | S602033 |
| 3 | Codo de 90 grados | 1 | Ninguno | Ninguno | Ninguno | S159-5 | S159-5 | Ninguno | Ninguno | Ninguno |
| 4 | Polea ensamblada | 1 | S260011 | S260011 | S260011 | S260011 | S260011 | S260011 | S260011 | S260011 |
| 5 | Resorte ensamblado de propulsión | 1 | S260037 | S260037 | S260037 | S600023 | S600023 | S260053 | S260053 | S260053 |
| 6 | Resorte del arbol | 1 | S600621 | S600621 | S600621 | S600621 | S600621 | S600621 | S600621 | S600621 |
| 7 | Empaque | 1 | S260069 | S260069 | S260069 | S260069 | S260069 | S260069 | S260069 | S260069 |
| 8 | Resorte de la caja ensamblada | 1 | S260074 | S260074 | S260074 | S260074 | S260074 | S260074 | S260074 | S260074 |
| 10 | Columna principal | 1 | 602231 | 602231 | 602231 | 602231-1 | 602231-1 | 602231 | 602231 | 602231 |
| 11 | 1 1/4" Anillo de resorte | 2 | 300007 | 300007 | 300007 | 300007 | 300007 | 300007 | 300007 | 300007 |
| 12 | Base ensamblada | 1 | S600016 | 600012 | 600016 | 600016 | 600016 | 600016 | 600016 | 600016 |
| 13 | 1/2-13 T ornillo | 1 | S35-84 | S35-84 | S35-84 | S35-84 | S35-84 | S35-84 | S35-84 | S35-84 |
| 14 | Guía del brazo con rodillos | 1 | S600017 | S600017 | S600017 | S600017 | S600017 | S600017 | S600017 | S600017 |
| 15 | Parachoque ensamblada | 1 | 2-HR1004-3 | 2-HR1004-3 | 2-HR1004-3 | Ninguno | 3-HR1004-3 | Ninguno | 1-HR1004-3 | 1-HR1004-3 |
| 16 | 5/16-18 Contre écrou | 4 | 300107 | 300107 | 300107 | 300107 | 300107 | 300107 | 300107 | 300107 |
| 17 | 10-32 x 3/8" écrou Nyloc | 7 | S82-15 | S82-15 | S82-15 | S82-15 | S82-15 | S82-15 | S82-15 | S82-15 |
| 18 | 1/2-20 x 5/8" écrou hexagonal | 1 | S280-8 | S280-8 | S280-8 | S280-8 | S280-8 | S280-8 | S280-8 | S280-8 |
| 19 | Ressort de loquet | 1 | S260067 | S260067 | S260067 | S260067 | S260067 | S260067 | S260067 | S260067 |
| 21 | 10-32 tornillo de hombro | 1 | S393-2 | S393-2 | S393-2 | S393-2 | S393-2 | S393-2 | S393-2 | S393-2 |
| 22 | Assemblage de cliquet | 1 | S600018 | S600018 | S600018 | S600018 | S600018 | S600018 | S600018 | S600018 |
| 23 | 3/8-24 contre-écrou | 1 | S76-106 | S76-106 | S76-106 | S76-106 | S76-106 | S76-106 | S76-106 | S76-106 |
| 24 | Boulon de boîtier de ressort | 1 | S260031 | S260031 | S260031 | S260031 | S260031 | S260031 | S260031 | S260031 |
| 25 | Tornillo "u" | 1 | 3-117440 | 3-117440 | 3-117440 | 5-117440 | 5-117440 | 3-117440 | 3-117440 | 3-117440 |
| 26 | 1/4-20 x 3/8" contre-écrou | 2 | 261650-1 | 261650-1 | 261650-1 | 261650-1 | 261650-1 | 261650-1 | 261650-1 | 261650-1 |
| 28 | Union del eje giratorio | 1 | S257-26 | S257-26 | S257-26 | Ninguno | Ninguno | S257-26 | S257-26 | S257-26 |
| Manguera del ensamblada | | | 601021-50 | 601022-50 | S601053-50 | Ninguno | 601026-25 | Ninguno | 3-260043 | 4-260043 |
| Manguera I.D. y Medida | | | 1/2" x 50' | 1/2" x 50' | 1/2" x 50' | Ninguno | 3/4" x 25' | Ninguno | 3/8" x 30' | 3/8" x 40' |
| Coneccion de Entrada al Carretel | | | 1/2" FPT | 1/2" FPT | 3/4" NH | 3/4" FPT | 3/4" FPT | 1/2" FPT | 1/2" FPT | 1/2" FPT |
| Max. Presion de Operacion | | | 300 PSI | 300 PSI | 300 PSI | 500 PSI | 250 PSI | 3000 PSI | 2600 PSI | 2600 PSI |
| Max. Temperatura de Operacion | | | 150 °F | 150 °F | 150 °F | 210 °F | 150 °F | 210 °F | 210 °F | 210 °F |

| ART. NO. | Descripción | NO. REQ. | 7650 OMP | 7800 OMP | 7830 OMP | 7840 OMP | 7850 OMP | 7400 OHP | 7440 OHP |
|----------------------------------|----------------------------------|----------|------------|----------|------------|------------|------------|----------|-------------|
| 1 | Eje giratorio ensamblado | 1 | S602033 | S602033 | S602033 | S602033 | S602033 | S602033 | S602033 |
| 3 | Codo de 90 grados | 1 | Ninguno | Ninguno | Ninguno | Ninguno | Ninguno | Ninguno | Ninguno |
| 4 | Polea ensamblada | 1 | S260011 | S260011 | S260011 | S260011 | S260011 | S600364 | S600364 |
| 5 | Resorte ensamblado de propulsión | 1 | S260053 | S260053 | S260053 | S260053 | S260053 | S260053 | S260053 |
| 6 | Resorte del arbol | 1 | S600621 | S600621 | S600621 | S600621 | S600621 | S600621 | S600621 |
| 7 | Empaque | 1 | S260069 | S260069 | S260069 | S260069 | S260069 | S260069 | S260069 |
| 8 | Resorte de la caja ensamblada | 1 | S260074 | S260074 | S260074 | S260074 | S260074 | S260074 | S260074 |
| 10 | Columna principal | 1 | 602231 | 602231 | 602231 | 602231 | 602231 | 602231 | 602231 |
| 11 | 1 1/4" Anillo de resorte | 2 | 300007 | 300007 | 300007 | 300007 | 300007 | 300007 | 300007 |
| 12 | Base ensamblada | 1 | 600016 | 600016 | 600016 | S600016 | S600016 | S600016 | S600016 |
| 13 | 1/2-13 T ornillo | 1 | S35-84 | S35-84 | S35-84 | S35-84 | S35-84 | S35-84 | S35-84 |
| 14 | Guía del brazo con rodillos | 1 | S600017 | S600017 | S600017 | S600017 | S600017 | S600017 | S600017 |
| 15 | Parachoque ensamblada | 1 | 1-HR1004-3 | Ninguno | 2-HR1004-3 | 2-HR1004-3 | 2-HR1004-3 | Ninguno | 1-HR1004-3A |
| 16 | 5/16-18 Contre écrou | 4 | 300107 | 300107 | 300107 | 300107 | 300107 | 300107 | 300107 |
| 17 | 10-32 x 3/8" écrou Nyloc | 7 | S82-15 | S82-15 | S82-15 | S82-15 | S82-15 | S82-15 | S82-15 |
| 18 | 1/2-20 x 5/8" écrou hexagonal | 1 | S280-8 | S280-8 | S280-8 | S280-8 | S280-8 | S280-8 | S280-8 |
| 19 | Ressort de loquet | 1 | S260067 | S260067 | S260067 | S260067 | S260067 | S260067 | S260067 |
| 21 | 10-32 tornillo de hombro | 1 | S393-2 | S393-2 | S393-2 | S393-2 | S393-2 | S393-2 | S393-2 |
| 22 | Assemblage de cliquet | 1 | S600018 | S600018 | S600018 | S600018 | S600018 | S600018 | S600018 |
| 23 | 3/8-24 contre-écrou | 1 | S76-106 | S76-106 | S76-106 | S76-106 | S76-106 | S76-106 | S76-106 |
| 24 | Boulon de boîtier de ressort | 1 | S260031 | S260031 | S260031 | S260031 | S260031 | S260031 | S260031 |
| 25 | Tornillo "u" | 1 | 3-117440 | 3-117440 | 3-117440 | 3-117440 | 3-117440 | 3-117440 | 3-117440 |
| 26 | 1/4-20 x 3/8" contre-écrou | 2 | 261650-1 | 261650-1 | 261650-1 | 261650-1 | 261650-1 | 261650-1 | 261650-1 |
| 28 | Union del eje giratorio | 1 | S257-26 | S257-26 | S257-26 | S257-26 | S257-26 | S257-72 | S257-72 |
| Manguera del ensamblada | | | 5-260043 | Ninguno | 6-260043 | 7-260043 | 8-260043 | Ninguno | 8-260044 |
| Manguera I.D. y Medida | | | 3/8" x 50' | Ninguno | 1/2" x 30' | 1/2" x 40' | 1/2" x 50' | Ninguno | 1/4" x 40' |
| Coneccion de Entrada al Carretel | | | 1/2" FPT | 1/2" FPT | 1/2" FPT | 1/2" FPT | 1/2" FPT | 1/4" FPT | 1/4" FPT |
| Max. Presion de Operacion | | | 2600 PSI | 3250 PSI | 3250 PSI | 3250 PSI | 3250 PSI | 5000 PSI | 5000 PSI |
| Max. Temperatura de Operacion | | | 210 °F | 210 °F | 210 °F | 210 °F | 210 °F | 210 °F | 210 °F |

Series 7000 Spring Driven Hose Reels

| ART. NO. | Descripción | NO. REQ. | 7450 OHP | 7600 OHP | 7640 OHP | 7650 OHP | 7650 OLP-HTH | 7850 OLP-HTH121 | 7925 OLP-HTH |
|----------------------------------|----------------------------------|----------|-------------|-------------|-------------|-------------|--------------------------------|--------------------------------|--------------------------------|
| 1 | Eje giratorio ensamblado | 1 | S602033 | S602033 | S602033 | S602033 | S600923-1 | S600923-1 | S602026-1 |
| 3 | Codo de 90 grados | 1 | Ninguno | Ninguno | Ninguno | Ninguno | Ninguno | Ninguno | S157-4 |
| 4 | Polea ensamblada | 1 | S600364 | S260011 | S260011 | S260011 | S260011 | S260011 | S260011 |
| 5 | Resorte ensamblado de propulsión | 1 | S260053 | S260053 | S260053 | S260053 | 260028-1 | 260037 | 600023 |
| 6 | Resorte del arbol | 1 | S600621 | S600621 | S600621 | S600621 | S600621 | S600621 | S600621 |
| 7 | Empaque | 1 | S260069 | S260069 | S260069 | S260069 | S260069 | S260069 | S260069 |
| 8 | Resorte de la caja ensamblada | 1 | S260074 | S260074 | S260074 | S260074 | S260074 | S260074 | S260074 |
| 10 | Columna principal | 1 | 602231 | 602231 | 602231 | 602231 | 602231 | 602231 | 602231-1 |
| 11 | 1 1/4" Anillo de resorte | 2 | 300007 | 300007 | 300007 | 300007 | 300007 | 300007 | 300007 |
| 12 | Base ensamblada | 1 | S600016 | S600016 | S600016 | S600016 | S600016 | S600016 | S600016 |
| 13 | 1/2-13 T ornillo | 1 | S35-84 | S35-84 | S35-84 | S35-84 | S35-84 | S35-84 | S35-84 |
| 14 | Guia del brazo con rodillos | 1 | S600017 | S600017 | S600017 | S600017 | S600017 | S600017 | S600017 |
| 15 | Parachoque ensamblada | 1 | 1-HR1004-3A | Ninguno | 1-HR1004-3 | 1-HR1004-3 | 1-HR1004-3 | 2-HR1004-3 | 3-HR1004-3 |
| 16 | 5/16-18 Contre écrou | 4 | 300107 | 300107 | 300107 | 300107 | 300107 | 300107 | 300107 |
| 17 | 10-32 x 3/8" écrou Nyloc | 7 | S82-15 | S82-15 | S82-15 | S82-15 | S82-15 | S82-15 | S82-15 |
| 18 | 1/2-20 x 5/8" écrou hexagonal | 1 | S280-8 | S280-8 | S280-8 | S280-8 | S280-8 | S280-8 | S280-8 |
| 19 | Ressort de loquet | 1 | S260067 | S260067 | S260067 | S260067 | S260067 | S260067 | S260067 |
| 21 | 10-32 tornillo de hombro | 1 | S393-2 | S393-2 | S393-2 | S393-2 | S393-2 | S393-2 | S393-2 |
| 22 | Assemblage de cliquet | 1 | S600018 | S600018 | S600018 | S600018 | S600018 | S600018 | S600018 |
| 23 | 3/8-24 contre-écrou | 1 | S76-106 | S76-106 | S76-106 | S76-106 | S76-106 | S76-106 | S76-106 |
| 24 | Boulon de boîtier de ressort | 1 | S260031 | S260031 | S260031 | S260031 | S260031 | S260031 | S260031 |
| 25 | Tornillo "u" | 1 | 3-117440 | 3-117440 | 3-117440 | 3-117440 | 3-117440 | 3-117440 | 3-117440 |
| 26 | 1/4-20 x 3/8" contre-écrou | 2 | 261650-1 | 261650-1 | 261650-1 | 261650-1 | 261650-1 | 261650-1 | 261650-1 |
| 28 | Union del eje giratorio | 1 | S257-72 | S257-72 | S257-72 | S257-72 | S257-72 | S257-72 | S257-72 |
| Manguera del ensamblada | | | 9-260044 | Ninguno | 4-260044 | 5-260044 | 601143-50 | 601148-50 | 601146-25 |
| Manguera I.D. y Medida | | | 1/4" x 50' | Ninguno | 3/8" x 40' | 3/8" x 50' | 3/8" x 50' | 1/2" x 50' | 3/4" x 25' |
| Coneccion de Entrada al Carretel | | | 1/4" NPT(F) | 1/4" NPT(F) | 1/4" NPT(F) | 1/4" NPT(F) | 1/2" NPT(F) | 1/2" NPT(F) | 3/4" NPT(F) |
| Max. Presion de Operacion | | | 5000 PSI | 5000 PSI | 4800 PSI | 4800 PSI | 300 PSI | 300 PSI | 300 PSI |
| Max. Temperatura de Operacion | | | 210 °F | 210 °F | 210 °F | 210 °F | 212 °F (Aire) 180 °F (Agua) | 212 °F (Aire) 180 °F (Agua) | 212 °F (Aire) 180 °F (Agua) |

Instructions D'Opération

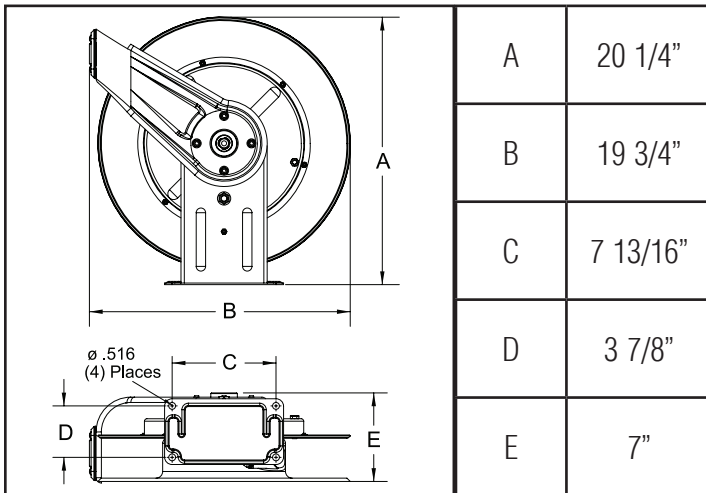
Série 7000 Enrouleurs de Tuyau

Bas, milieu et numéros de type à haute pression:

| | | | | |
|--------------------------|-----------------------------|--------------------------|--------------------------|---------------------------------|
| 7600 OLP | 7830 OLP | 7925 OLP | 7830 OMP | 7600 OHP |
| 7640 OLP | 7840 OLP | 7600 OMP | 7840 OMP | 7640 OHP |
| 7650 OLP | 7850 OLP | 7630 OMP | 7850 OMP | 7650 OHP |
| 7607 OLP | 7850 OLP121 | 7640 OMP | 7400 OHP | 7650 OLP-HTH |
| 7670 OLP | 7850 OLP57 | 7650 OMP | 7440 OHP | 7850 OLP-HTH121 |
| 7800 OLP | 7900 OLP | 7800 OMP | 7450 OHP | 7925 OLP-HTH |



Dimensions



IMPORTANT

Lisez ce manuel soigneusement avant d'installer, actionner, ou entretenir cet équipement.

Sécurité

Podrían ocurrir lesiones personales y/o daños en el equipo si no se siguen las instrucciones de seguridad adecuadas.

- Assurez-vous que l'enrouleur est correctement installé avant de raccorder les tuyaux d'entrée et de sortie.
- Evacuez tout liquide/gaz sous pression du système avant d'entreprendre l'entretien de l'enrouleur.
- Avant de raccorder l'enrouleur à la ligne d'alimentation, assurez-vous que la pression n'excède pas la pression de fonctionnement nominale maximum de l'enrouleur.
- Souvenez-vous, même les pressions basses sont dangereuses et peuvent provoquer des blessures ou la mort.
- Ayez conscience des machines et des personnes se trouvant dans la zone de travail.
- Si une fuite apparaît dans le tuyau ou l'enrouleur, décompressez le système immédiatement.
- L'enrouleur comporte un assemblage à ressort de haute tension. Observez la plus grande prudence.
- Sortez le tuyau de l'enrouleur en tirant sur le tuyau lui-même, pas sur l'embout.
- Si l'enrouleur arrête d'enrouler ou de dérouler, décompressez le système immédiatement. Ne pas tirer ou secouer le tuyau !
- Comme avec toute autre machine, traitez l'enrouleur de tuyau avec respect, en observant les consignes de sécurité habituelles.

CONSIGNES D'INSTALLATION

MONTAMIENTO

AVERTISSEMENT: Sauf enrouleur a été spécifié différemment lors de la commande, au maximum hauteur d'installation est de 16 pieds. Ne pas dépasser cette distance.

1. Déballez l'enrouleur et inspectez-le pour déceler le dommage. Faites tourner à la main pour vérifier le bon fonctionnement. Vérifiez l'enrouleur pour voir s'il est complet.
2. Agencez l'enrouleur en prévision d'une sortie laterale, par le haut, ou par le bas en enlevant les écrous qui correspondent au support. Fixez le support guide la position désirée, et remplacez les écrous.
3. Positionnez l'enrouleur au sol, au mur, ou au plafond. Fixez-le solidement en utilisant 4 boulons (fournis par le client).

INSTALLATION DES TUYAUX D'ENTRÉS

MIS EN GARDE: Assurez-vous que la pression du tuyau d'alimentation ne dépasse pas la pression maximum qui est spécifié pour l'enrouleur. Appliquez du matériau d'étanchéité pour les filets de tuyau à tous les filets uniquement sur les enrouleurs. **AVERTISSEMENT:** Utilisez un raccord flexible à l'entrée. N'utilisez pas les tuyaux rigides.

1. Connectez la ligne d'alimentation (4) à la manche d'entrée principale (5) comme indiqué.

INSTALLATION DES TUYAUX DE SORTIES

MIS EN GARDE: Faites attention; enrouleur sous tension! Évitez de lâcher le mécanisme d'accrochage. Appliquez du matériau d'étanchéité pour les filets du tuyau à tous les filets uniquement sur les enrouleurs.

1. Tournez à la main la poulie (10) jusqu'au ressort est tendu, puis tournez-la 3 tours à la sense opposite, puis fermez au loquet.
2. Guidez le(s) tuyau(x) (11) à travers le support guide, les boulons en U (12), et puis à travers le trou (13) dans l'enrouleur comme indiqué.
3. Connectez le(s) tuyau(x) (11) au raccord tournant (14) comme indiqué.
4. Serrez bien le boulons en U.
5. Chargez le(s) tuyau(x). Ouvrez momentanément la vanne de régulation pour évacuer le(s) tuyau(x) des gaz. Quand du fluide arrive à la vanne de régulation, fermez-la. Lorsque le(s) tuyau(x) sont complètement chargé(s), relâchez le mécanisme d'accrochage et enroulez le(s) tuyau(x) de sortie sur l'enrouleur.

RÉGLAGES

MISE EN GARDE: Faites attention; enrouleur sous tension. Évitez de relâcher le mécanisme d'accrochage. Au besoin, réglez la tension du ressort l'enrouleur en ajoutant ou en enlevant un tour de câble à la fois jusqu'à l'obtention de la tension désirée. Ajoutez un tour de câble pour augmenter la tension. Enlevez un

tour pour l'effet contraire.

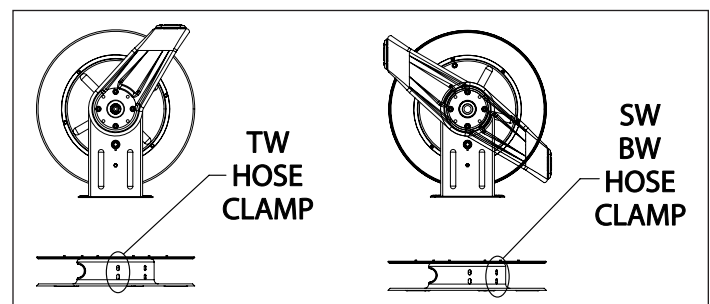
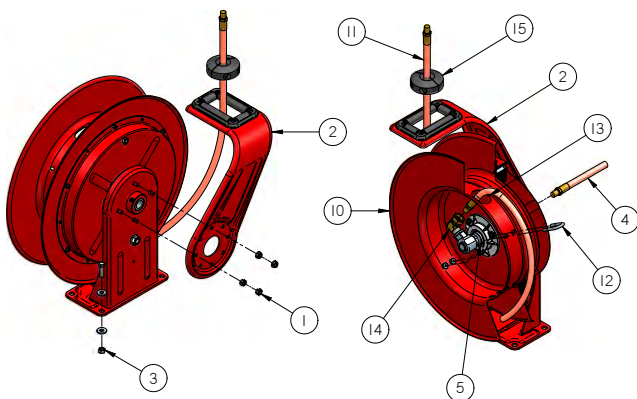
DIRECTIVES DE MAINTENANCE

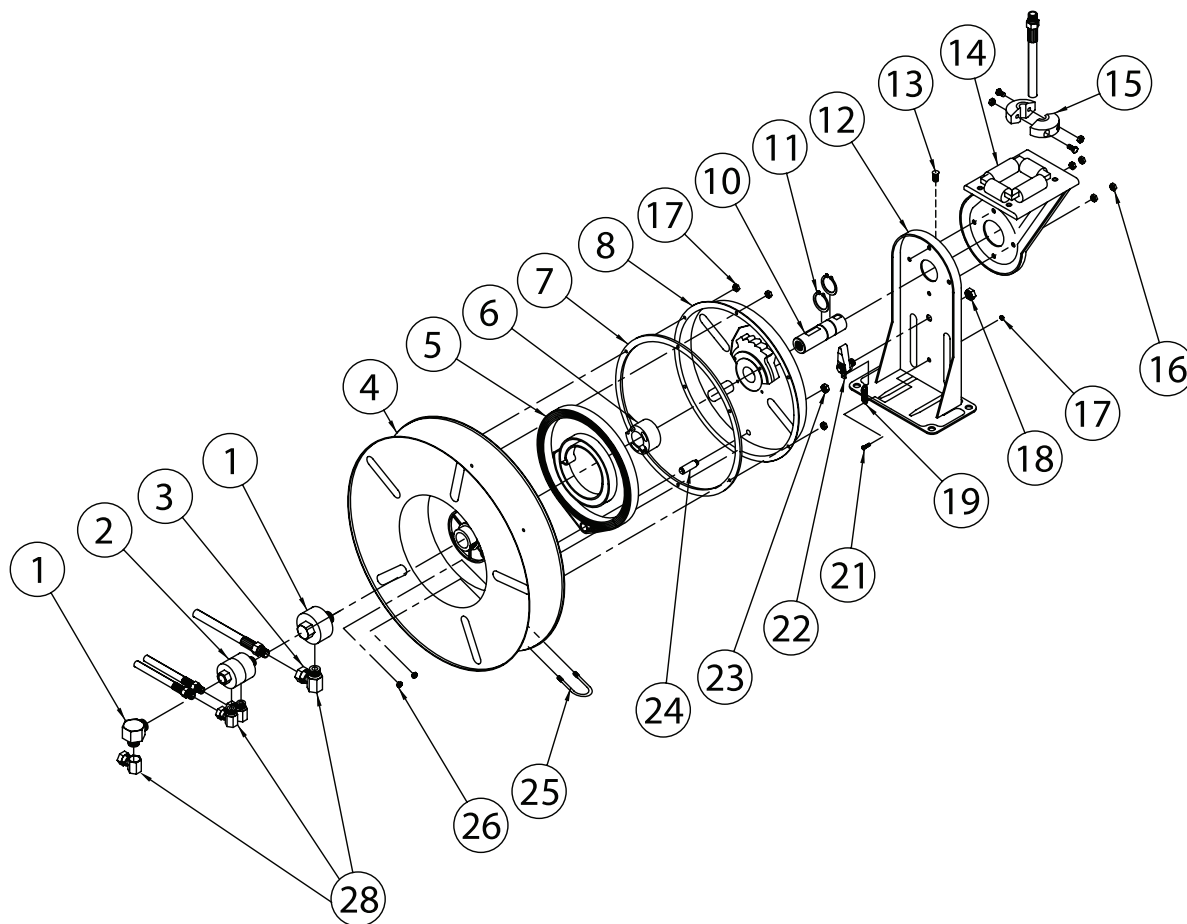
La maintenance de l'enrouleur par l'utilisateur est limitée à la remplacement des tuyaux d'entrée et de sortie. Signalez tout autre problème seulement à une personne autorisée ou directement à Reelcraft. Inobservation de le faire peut résulter en blessure personnel et/ou le dommage d'équipement. En plus, la garantie peut être annulée. **MISE EN GARDE:** Rebobinez le tuyau à l'enrouleur, et puis évacuez la pression du système avant de faire ce qui suit.

1. Remplacez les tuyaux comme décrité au paragraphe "Instructions d'Installation" qui se trouve dans ce manuel.

AVERTISSEMENT: Quand vous remplacez le ressort de mouvement, maintenez-le bien en place lorsque le moyeu est enlevé. Si le centre du ressort peut se lever, il peut échapper de son conteneur avec assez de force de causer des blessures. En jetant de vieux assemblages ou des assemblages cassés, les câbles doivent être soudés ensemble ou fixés ensemble pour éviter des blessures possibles aux ferrailleurs.

1. Toutes les pièces qui se touchent en mouvant doivent être lubrifiées avec du Perma Bond ou du Loctite (composé qui empêche le grippage).





| ART N°. | DÉSCRIPTION | N° REQ. | 7600 OLP | 7640 OLP | 7650 OLP | 7607 OLP | 7670 OLP | 7800 OLP | 7830 OLP | 7840 OLP |
|---|------------------------------------|---------|-----------|------------|------------|-----------|------------|-----------|------------|------------|
| 1 | Assemblage de pivot | 1 | S600888-1 | S600888-1 | S600888-1 | S600888-1 | S600888-1 | S600888-1 | S600888-1 | S600888-1 |
| 3 | Coude à 90° | 1 | Aucun | Aucun | Aucun | Aucun | Aucun | Aucun | Aucun | Aucun |
| 4 | Assemblage de poulie | 1 | S260011 | S260011 | S260011 | S260011 | S260011 | S260011 | S260011 | S260011 |
| 5 | Assemblage de ressort de mouvement | 1 | S260028 | S260028-1 | 260028-1 | S260028 | S260028 | S260037 | S260037 | S260037 |
| 6 | Mandrin de ressort | 1 | S600621 | S600621 | S600621 | S600621 | S600621 | S600621 | S600621 | S600621 |
| 7 | Joint d'étanchéité | 1 | S260069 | S260069 | S260069 | S260069 | S260069 | S260069 | S260069 | S260069 |
| 8 | Assemblage de boîtier de ressort | 1 | S260074 | S260074 | S260074 | S260074 | S260074 | S260074 | S260074 | S260074 |
| 10 | Arbre principal | 1 | 602231 | 602231 | 602231 | 602231 | 602231 | 602231 | 602231 | 602231 |
| 11 | 1 1/4" dispositif de retenue | 2 | 300007 | 300007 | 300007 | 300007 | 300007 | 300007 | 300007 | 300007 |
| 12 | Assemblage de base | 1 | S600016 | S600016 | S600016 | S600016 | S600016 | S600016 | S600016 | S600016 |
| 13 | 1/2-13 vis sans tête | 1 | S35-84 | S35-84 | S35-84 | S35-84 | S35-84 | S35-84 | S35-84 | S35-84 |
| 14 | Assemblage de guide | 1 | S600017 | S600017 | S600017 | S600017 | S600017 | S600017 | S600017 | S600017 |
| 15 | Assemblage d'arrêt | 1 | Aucun | 1-HR1004-3 | 1-HR1004-3 | Aucun | 1-HR1004-3 | Aucun | 2-HR1004-3 | 2-HR1004-3 |
| 16 | 5/16-18 contre écrou | 4 | 300107 | 300107 | 300107 | 300107 | 300107 | 300107 | 300107 | 300107 |
| 17 | 10-32 x 3/8" écrou Nyloc | 7 | S82-15 | S82-15 | S82-15 | S82-15 | S82-15 | S82-15 | S82-15 | S82-15 |
| 18 | 1/2-20 x 5/8" écrou hexagonal | 1 | S280-8 | S280-8 | S280-8 | S280-8 | S280-8 | S280-8 | S280-8 | S280-8 |
| 19 | Ressort de loquet | 1 | S260067 | S260067 | S260067 | S260067 | S260067 | S260067 | S260067 | S260067 |
| 21 | 10-32 vis à épaulement | 1 | S393-2 | S393-2 | S393-2 | S393-2 | S393-2 | S393-2 | S393-2 | S393-2 |
| 22 | Assemblage de cliquet | 1 | S600018 | S600018 | S600018 | S600018 | S600018 | S600018 | S600018 | S600018 |
| 23 | 3/8-24 contre-écrou | 1 | S76-106 | S76-106 | S76-106 | S76-106 | S76-106 | S76-106 | S76-106 | S76-106 |
| 24 | Boulon de boîtier de ressort | 1 | S260031 | S260031 | S260031 | S260031 | S260031 | S260031 | S260031 | S260031 |
| 25 | Boulon en U | 1 | 3-117440 | 3-117440 | 3-117440 | 3-117440 | 3-117440 | 3-117440 | 3-117440 | 3-117440 |
| 26 | 1/4-20 x 3/8" contre-écrou | 2 | 261650-1 | 261650-1 | 261650-1 | 261650-1 | 261650-1 | 261650-1 | 261650-1 | 261650-1 |
| 28 | Union de pivot | 1 | S257-26 | S257-26 | S257-26 | S257-26 | S257-26 | S257-26 | S257-26 | S257-26 |
| Assemblage de tuyau | | | Aucun | 601014-40 | 601017-50 | Aucun | 601017-70 | Aucun | 601021-30 | 601019-40 |
| Longueur et Diamètre Intérieur du Tuyau | | | Aucun | 3/8" x 40' | 3/8" x 50' | Aucun | 3/8" x 70' | Aucun | 1/2" x 30' | 1/2" x 40' |
| Raccord d'entrée d'enrouleur | | | 1/2" FPT | 1/2" FPT | 1/2" FPT | 1/2" FPT | 1/2" FPT | 1/2" FPT | 1/2" FPT | 1/2" FPT |
| Pression d'opération maximum | | | 500 PSI | 300 PSI | 300 PSI | 500 PSI | 300 PSI | 500 PSI | 300 PSI | 300 PSI |
| Température d'opération maximum | | | 210 °F | 150 °F | 150 °F | 210 °F | 150 °F | 210 °F | 150 °F | 150 °F |

Série 7000 Enrouleurs de Tuyau

| ART N°. | DÉSCRIPTION | N° REQ. | 7850 OLP | 7850 OLP121 | 7850 OLP5W7 | 7900 OLP | 7925 OLP | 7600 OMP | 7630 OMP | 7640 OMP |
|--|------------------------------------|---------|------------|-------------|-------------|----------|------------|----------|------------|------------|
| 1 | Assemblage de pivot | 1 | S60088-1 | S60088-1 | S60088-1 | S602026 | S602026 | S602033 | S602033 | S602033 |
| 3 | Coude à 90° | 1 | Aucun | Aucun | Aucun | S159-5 | S159-5 | Aucun | Aucun | Aucun |
| 4 | Assemblage de poulie | 1 | S260011 | S260011 | S260011 | S260011 | S260011 | S260011 | S260011 | S260011 |
| 5 | Assemblage de ressort de mouvement | 1 | S260037 | S260037 | S260037 | S600023 | S600023 | S260053 | S260053 | S260053 |
| 6 | Mandrin de ressort | 1 | S600621 | S600621 | S600621 | S600621 | S600621 | S600621 | S600621 | S600621 |
| 7 | Joint d'étanchéité | 1 | S260069 | S260069 | S260069 | S260069 | S260069 | S260069 | S260069 | S260069 |
| 8 | Assemblage de boîtier de ressort | 1 | S260074 | S260074 | S260074 | S260074 | S260074 | S260074 | S260074 | S260074 |
| 10 | Arbre principal | 1 | 602231 | 602231 | 602231 | 602231-1 | 602231-1 | 602231 | 602231 | 602231 |
| 11 | 1 1/4" dispositif de retenue | 2 | 300007 | 300007 | 300007 | 300007 | 300007 | 300007 | 300007 | 300007 |
| 12 | Assemblage de base | 1 | S600016 | 600012 | 600016 | 600016 | 600016 | 600016 | 600016 | 600016 |
| 13 | 1/2-13 vis sans tête | 1 | S35-84 | S35-84 | S35-84 | S35-84 | S35-84 | S35-84 | S35-84 | S35-84 |
| 14 | Assemblage de guide | 1 | S600017 | S600017 | S600017 | S600017 | S600017 | S600017 | S600017 | S600017 |
| 15 | Assemblage d'arrêt | 1 | 2-HR1004-3 | 2-HR1004-3 | 2-HR1004-3 | Aucun | 3-HR1004-3 | Aucun | 1-HR1004-3 | 1-HR1004-3 |
| 16 | 5/16-18 contre écrou | 4 | 300107 | 300107 | 300107 | 300107 | 300107 | 300107 | 300107 | 300107 |
| 17 | 10-32 x 3/8" écrou Nyloc | 7 | S82-15 | S82-15 | S82-15 | S82-15 | S82-15 | S82-15 | S82-15 | S82-15 |
| 18 | 1/2-20 x 5/8" écrou hexagonal | 1 | S280-8 | S280-8 | S280-8 | S280-8 | S280-8 | S280-8 | S280-8 | S280-8 |
| 19 | Ressort de loquet | 1 | S260067 | S260067 | S260067 | S260067 | S260067 | S260067 | S260067 | S260067 |
| 21 | 10-32 vis à épaulement | 1 | S393-2 | S393-2 | S393-2 | S393-2 | S393-2 | S393-2 | S393-2 | S393-2 |
| 22 | Assemblage de cliquet | 1 | S600018 | S600018 | S600018 | S600018 | S600018 | S600018 | S600018 | S600018 |
| 23 | 3/8-24 contre-écrou | 1 | S76-106 | S76-106 | S76-106 | S76-106 | S76-106 | S76-106 | S76-106 | S76-106 |
| 24 | Boulon de boîtier de ressort | 1 | S260031 | S260031 | S260031 | S260031 | S260031 | S260031 | S260031 | S260031 |
| 25 | Boulon en U | 1 | 3-117440 | 3-117440 | 3-117440 | 5-117440 | 5-117440 | 3-117440 | 3-117440 | 3-117440 |
| 26 | 1/4-20 x 3/8" contre-écrou | 2 | 261650-1 | 261650-1 | 261650-1 | 261650-1 | 261650-1 | 261650-1 | 261650-1 | 261650-1 |
| 28 | Union de pivot | 1 | S257-26 | S257-26 | S257-26 | Aucun | Aucun | S257-26 | S257-26 | S257-26 |
| Assemblage de tuyau | | | 601021-50 | 601022-50 | S601053-50 | Aucun | 601026-25 | Aucun | 3-260043 | 4-260043 |
| Longeur et Diamètre Intérieur du Tuyau | | | 1/2" x 50' | 1/2" x 50' | 1/2" x 50' | Aucun | 3/4" x 25' | Aucun | 3/8" x 30' | 3/8" x 40' |
| Raccord d'entrée d'enrouleur | | | 1/2" FPT | 1/2" FPT | 3/4" NH | 3/4" FPT | 3/4" FPT | 1/2" FPT | 1/2" FPT | 1/2" FPT |
| Pression d'opération maximum | | | 300 PSI | 300 PSI | 300 PSI | 500 PSI | 250 PSI | 3000 PSI | 2600 PSI | 2600 PSI |
| Température d'opération maximum | | | 150 °F | 150 °F | 150 °F | 210 °F | 150 °F | 210 °F | 210 °F | 210 °F |

| ART N°. | DÉSCRIPTION | N° REQ. | 7650 OMP | 7800 OMP | 7830 OMP | 7840 OMP | 7850 OMP | 7400 OHP | 7440 OHP |
|--|------------------------------------|---------|------------|----------|------------|------------|------------|----------|-------------|
| 1 | Assemblage de pivot | 1 | S602033 | S602033 | S602033 | S602033 | S602033 | S602033 | S602033 |
| 3 | Coude à 90° | 1 | Aucun | Aucun | Aucun | Aucun | Aucun | Aucun | Aucun |
| 4 | Assemblage de poulie | 1 | S260011 | S260011 | S260011 | S260011 | S260011 | S600364 | S600364 |
| 5 | Assemblage de ressort de mouvement | 1 | S260053 | S260053 | S260053 | S260053 | S260053 | S260053 | S260053 |
| 6 | Mandrin de ressort | 1 | S600621 | S600621 | S600621 | S600621 | S600621 | S600621 | S600621 |
| 7 | Joint d'étanchéité | 1 | S260069 | S260069 | S260069 | S260069 | S260069 | S260069 | S260069 |
| 8 | Assemblage de boîtier de ressort | 1 | S260074 | S260074 | S260074 | S260074 | S260074 | S260074 | S260074 |
| 10 | Arbre principal | 1 | 602231 | 602231 | 602231 | 602231 | 602231 | 602231 | 602231 |
| 11 | 1 1/4" dispositif de retenue | 2 | 300007 | 300007 | 300007 | 300007 | 300007 | 300007 | 300007 |
| 12 | Assemblage de base | 1 | 600016 | 600016 | 600016 | S600016 | S600016 | S600016 | S600016 |
| 13 | 1/2-13 vis sans tête | 1 | S35-84 | S35-84 | S35-84 | S35-84 | S35-84 | S35-84 | S35-84 |
| 14 | Assemblage de guide | 1 | S600017 | S600017 | S600017 | S600017 | S600017 | S600017 | S600017 |
| 15 | Assemblage d'arrêt | 1 | 1-HR1004-3 | Aucun | 2-HR1004-3 | 2-HR1004-3 | 2-HR1004-3 | Aucun | 1-HR1004-3A |
| 16 | 5/16-18 contre écrou | 4 | 300107 | 300107 | 300107 | 300107 | 300107 | 300107 | 300107 |
| 17 | 10-32 x 3/8" écrou Nyloc | 7 | S82-15 | S82-15 | S82-15 | S82-15 | S82-15 | S82-15 | S82-15 |
| 18 | 1/2-20 x 5/8" écrou hexagonal | 1 | S280-8 | S280-8 | S280-8 | S280-8 | S280-8 | S280-8 | S280-8 |
| 19 | Ressort de loquet | 1 | S260067 | S260067 | S260067 | S260067 | S260067 | S260067 | S260067 |
| 21 | 10-32 vis à épaulement | 1 | S393-2 | S393-2 | S393-2 | S393-2 | S393-2 | S393-2 | S393-2 |
| 22 | Assemblage de cliquet | 1 | S600018 | S600018 | S600018 | S600018 | S600018 | S600018 | S600018 |
| 23 | 3/8-24 contre-écrou | 1 | S76-106 | S76-106 | S76-106 | S76-106 | S76-106 | S76-106 | S76-106 |
| 24 | Boulon de boîtier de ressort | 1 | S260031 | S260031 | S260031 | S260031 | S260031 | S260031 | S260031 |
| 25 | Boulon en U | 1 | 3-117440 | 3-117440 | 3-117440 | 3-117440 | 3-117440 | 3-117440 | 3-117440 |
| 26 | 1/4-20 x 3/8" contre-écrou | 2 | 261650-1 | 261650-1 | 261650-1 | 261650-1 | 261650-1 | 261650-1 | 261650-1 |
| 28 | Union de pivot | 1 | S257-26 | S257-26 | S257-26 | S257-26 | S257-26 | S257-72 | S257-72 |
| Assemblage de tuyau | | | 5-260043 | Aucun | 6-260043 | 7-260043 | 8-260043 | Aucun | 8-260044 |
| Longeur et Diamètre Intérieur du Tuyau | | | 3/8" x 50' | Aucun | 1/2" x 30' | 1/2" x 40' | 1/2" x 50' | Aucun | 1/4" x 40' |
| Raccord d'entrée d'enrouleur | | | 1/2" FPT | 1/2" FPT | 1/2" FPT | 1/2" FPT | 1/2" FPT | 1/4" FPT | 1/4" FPT |
| Pression d'opération maximum | | | 2600 PSI | 3250 PSI | 3250 PSI | 3250 PSI | 3250 PSI | 5000 PSI | 5000 PSI |
| Température d'opération maximum | | | 210 °F | 210 °F | 210 °F | 210 °F | 210 °F | 210 °F | 210 °F |

Série 7000 Enrouleurs de Tuyau

| ART N°. | DÉSCRIPTION | N° REQ. | 7450 OHP | 7600 OHP | 7640 OHP | 7650 OHP | 7650 OLP-HTH | 7850 OLP-HTH121 | 7925 OLP-HTH |
|--|------------------------------------|---------|-------------|-------------|-------------|-------------|------------------------------|------------------------------|------------------------------|
| 1 | Assemblage de pivot | 1 | S602033 | S602033 | S602033 | S602033 | S600923-1 | S600923-1 | S602026-1 |
| 3 | Coude à 90° | 1 | Aucun | Aucun | Aucun | Aucun | Aucun | Aucun | S157-4 |
| 4 | Assemblage de poulie | 1 | S600364 | S260011 | S260011 | S260011 | S260011 | S260011 | S260011 |
| 5 | Assemblage de ressort de mouvement | 1 | S260053 | S260053 | S260053 | S260053 | 260028-1 | 260037 | 600023 |
| 6 | Mandrin de ressort | 1 | S600621 | S600621 | S600621 | S600621 | S600621 | S600621 | S600621 |
| 7 | Joint d'étanchéité | 1 | S260069 | S260069 | S260069 | S260069 | S260069 | S260069 | S260069 |
| 8 | Assemblage de boîtier de ressort | 1 | S260074 | S260074 | S260074 | S260074 | S260074 | S260074 | S260074 |
| 10 | Arbre principal | 1 | 602231 | 602231 | 602231 | 602231 | 602231 | 602231 | 602231-1 |
| 11 | 1 1/4" dispositif de retenue | 2 | 300007 | 300007 | 300007 | 300007 | 300007 | 300007 | 300007 |
| 12 | Assemblage de base | 1 | S600016 | S600016 | S600016 | S600016 | S600016 | S600016 | S600016 |
| 13 | 1/2-13 vis sans tête | 1 | S35-84 | S35-84 | S35-84 | S35-84 | S35-84 | S35-84 | S35-84 |
| 14 | Assemblage de guide | 1 | S600017 | S600017 | S600017 | S600017 | S600017 | S600017 | S600017 |
| 15 | Assemblage d'arrêt | 1 | 1-HR1004-3A | Aucun | 1-HR1004-3 | 1-HR1004-3 | 1-HR1004-3 | 2-HR1004-3 | 3-HR1004-3 |
| 16 | 5/16-18 contre écrou | 4 | 300107 | 300107 | 300107 | 300107 | 300107 | 300107 | 300107 |
| 17 | 10-32 x 3/8" écrou Nyloc | 7 | S82-15 | S82-15 | S82-15 | S82-15 | S82-15 | S82-15 | S82-15 |
| 18 | 1/2-20 x 5/8" écrou hexagonal | 1 | S280-8 | S280-8 | S280-8 | S280-8 | S280-8 | S280-8 | S280-8 |
| 19 | Ressort de loquet | 1 | S260067 | S260067 | S260067 | S260067 | S260067 | S260067 | S260067 |
| 21 | 10-32 vis à épaulement | 1 | S393-2 | S393-2 | S393-2 | S393-2 | S393-2 | S393-2 | S393-2 |
| 22 | Assemblage de cliquet | 1 | S600018 | S600018 | S600018 | S600018 | S600018 | S600018 | S600018 |
| 23 | 3/8-24 contre-écrou | 1 | S76-106 | S76-106 | S76-106 | S76-106 | S76-106 | S76-106 | S76-106 |
| 24 | Boulon de boîtier de ressort | 1 | S260031 | S260031 | S260031 | S260031 | S260031 | S260031 | S260031 |
| 25 | Boulon en U | 1 | 3-117440 | 3-117440 | 3-117440 | 3-117440 | 3-117440 | 3-117440 | 3-117440 |
| 26 | 1/4-20 x 3/8" contre-écrou | 2 | 261650-1 | 261650-1 | 261650-1 | 261650-1 | 261650-1 | 261650-1 | 261650-1 |
| 28 | Union de pivot | 1 | S257-72 | S257-72 | S257-72 | S257-72 | S257-72 | S257-72 | S257-72 |
| Assemblage de tuyau | | | 9-260044 | Aucun | 4-260044 | 5-260044 | 601143-50 | 601148-50 | 601146-25 |
| Longeur et Diamètre Intérieur du Tuyau | | | 1/4" x 50' | Aucun | 3/8" x 40' | 3/8" x 50' | 3/8" x 50' | 1/2" x 50' | 3/4" x 25' |
| Raccord d'entrée d'enrouleur | | | 1/4" NPT(F) | 1/4" NPT(F) | 1/4" NPT(F) | 1/4" NPT(F) | 1/2" NPT(F) | 1/2" NPT(F) | 3/4" NPT(F) |
| Pression d'opération maximum | | | 5000 PSI | 5000 PSI | 4800 PSI | 4800 PSI | 300 PSI | 300 PSI | 300 PSI |
| Température d'opération maximum | | | 210 °F | 210 °F | 210 °F | 210 °F | 212 °F (Air) 180 °F (Eau) | 212 °F (Air) 180 °F (Eau) | 212 °F (Air) 180 °F (Eau) |