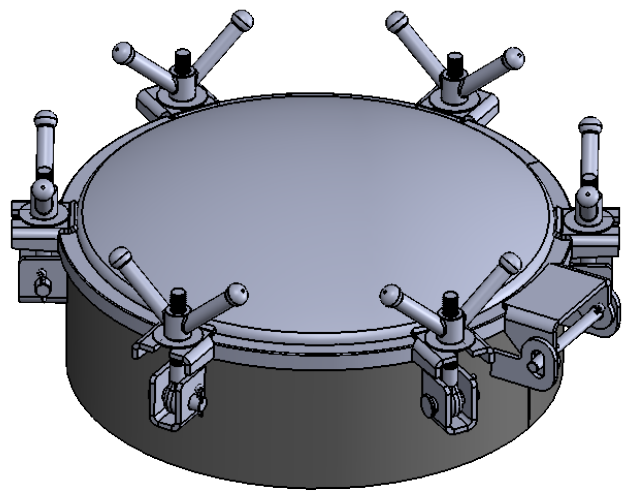
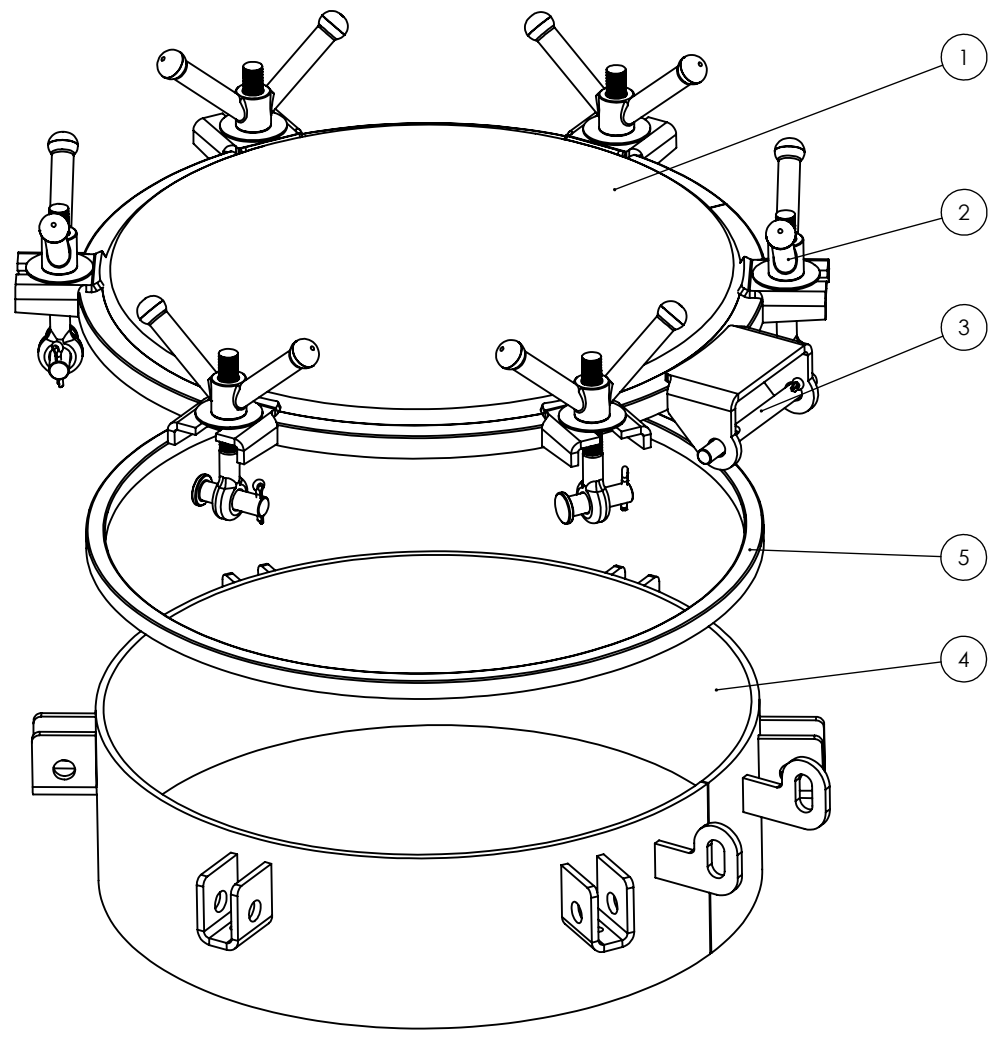



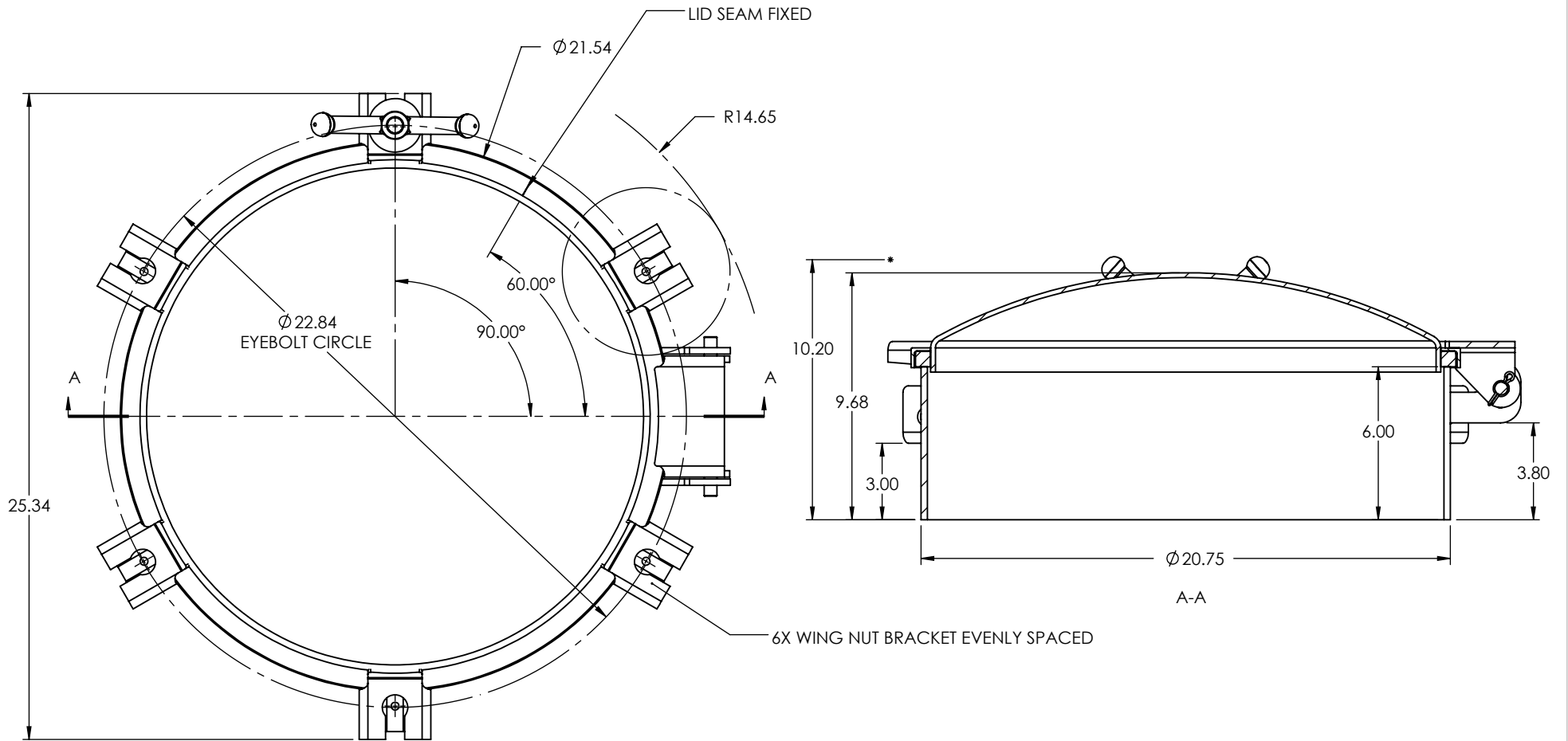
ITEM #	PART #	DESCRIPTION	exploded/QTY.
1	MW20L-6W-CS	20" MANWAY LID ASSEMBLY 6 WN	1
2	WNKIT5	5 PC. WING NUT KIT: WN01, WN02, WN03, WN05, WN06	6
3	WNKIT3	3 PC. HINGE KIT: WN04, 2X WN06	1
4	MW20N-6N6W-CS	20" NECK ASSEMBLY 6" TALL 6 WN CARBON STEEL	1
5	MW20-G	20" Gasket-NBR	1




**PART # MW20-6N6W-CS**

**PROPRIETARY AND CONFIDENTIAL**  
 THE INFORMATION CONTAINED IN THIS DRAWING IS THE SOLE PROPERTY OF **FRUITLAND MANUFACTURING**. ANY REPRODUCTION IN PART OR AS A WHOLE WITHOUT THE WRITTEN PERMISSION OF FRUITLAND MFG. IS PROHIBITED.

NAME	DATE		324 Leaside Avenue Stoney Creek, Ontario, CANADA L8E 2N7 Phone: (905) 662-6552 Fax: (905) 662 9875	
CREATED	A.B. 8/28/19		TITLE:	20" MANWAY ASSEMBLY, 6" TALL 6 WN
CHECKED		DWG. NO.	MW20-6N6W-CS	REV PO
UNLESS OTHERWISE SPECIFIED: DIMENSIONS ARE IN INCHES TOLERANCES: FRACTIONAL OR .X = ±.015 .XX = ±.010 .XXX = ±.005		SCALE: 1:12	WEIGHT:--	



**PART # MW20-6N6W-CS**

	NAME	DATE		324 Leaside Avenue Stoney Creek, Ontario, CANADA L8E 2N7 Phone: (905) 662-6552 Fax: (905) 662 9875	
CREATED	A.B.	8/28/19		TITLE:	20" MANWAY ASSEMBLY, 6" TALL 6 WN
CHECKED			DWG. NO.	MW20-6N6W-CS	REV PO
UNLESS OTHERWISE SPECIFIED: DIMENSIONS ARE IN INCHES TOLERANCES: FRACTIONAL OR .X = ±.015 .XX = ±.010 .XXX = ±.005			SCALE: 1:12	WEIGHT:--	
MATERIAL	--				

**PROPRIETARY AND CONFIDENTIAL**  
 THE INFORMATION CONTAINED IN THIS DRAWING IS THE SOLE PROPERTY OF **FRUITLAND MANUFACTURING**. ANY REPRODUCTION IN PART OR AS A WHOLE WITHOUT THE WRITTEN PERMISSION OF FRUITLAND MFG. IS PROHIBITED.

5

4

3

2

1