

ITEM #	PART #	DWG #	DESCRIPTION	QTY.
1	P12LP-3W3HB-AL P12LP-3W4HB-AL	P12LP-3W3HB-AL P12LP-3W4HB-AL	PRIMARY 12" LOW PRO LID ALUMINUM	1
2	MW12-G	MW12-G	12" ID SQUARE GASKET (CS .59 x .59)	1
3	S09-A-20		3"- 5" HOSE CLAMP	1
4	S14-A-12		4" RUBBER SEAT FOR 6" BALL	1
5	S14-A-04		FLOAT BALL 6"	1
6	WN01	WN-KIT	5/8" WING NUT	3
7	WN05	WN-KIT	SHOULDER WASHER	3
8	WN02	WN-KIT	5/8" EYEBOLT	3
9	WN03	WN-KIT	WING NUT CLEVIS PIN	3
10	WN06	WN-KIT	9/64" x 1-1/2" COTTER PIN ZINC PLATED	3
11	P12-SS1		STUD STAINLESS STEEL Ø3/8-16, 1" LONG	4
12			3/8" SS FLAT WASHER, SMALL	4
13			3/8" NC SS HEX NUTS	4
14	BC6S-13	BC6S-13	BALL CAGE 6", 13" LONG	1
15A	P12N-6N3W-CS	P12N-6N3W-CS	12" PRIMARY WITH 6" NECK ASSEMBLY (CARBON STEEL)	1
15B	P12N-12N3W-CS	P12N-12N3W-CS	12" PRIMARY WITH 12" NECK ASSEMBLY (CARBON STEEL)	1

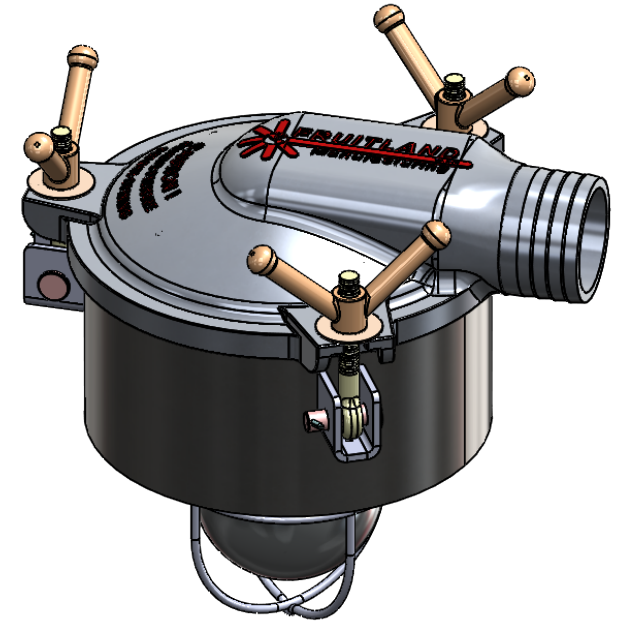
**PART #: P12LP-6N3W3HB-AC**  
(6" NECK, 3" BARB)

**PART #: P12LP-6N3W4HB-AC**  
(6" NECK, 4" BARB)


**PART #: P12LP-12N3W3HB-AC**  
(12" NECK, 3" BARB)

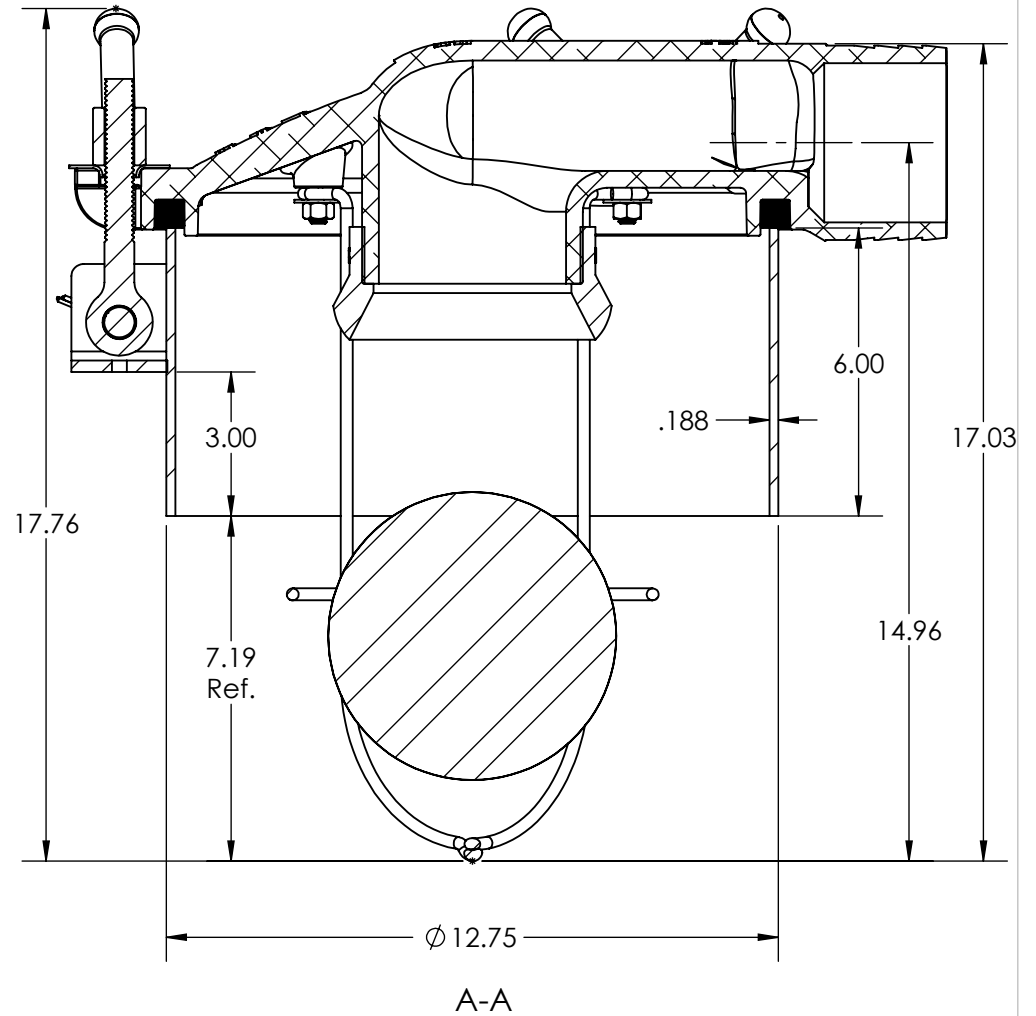
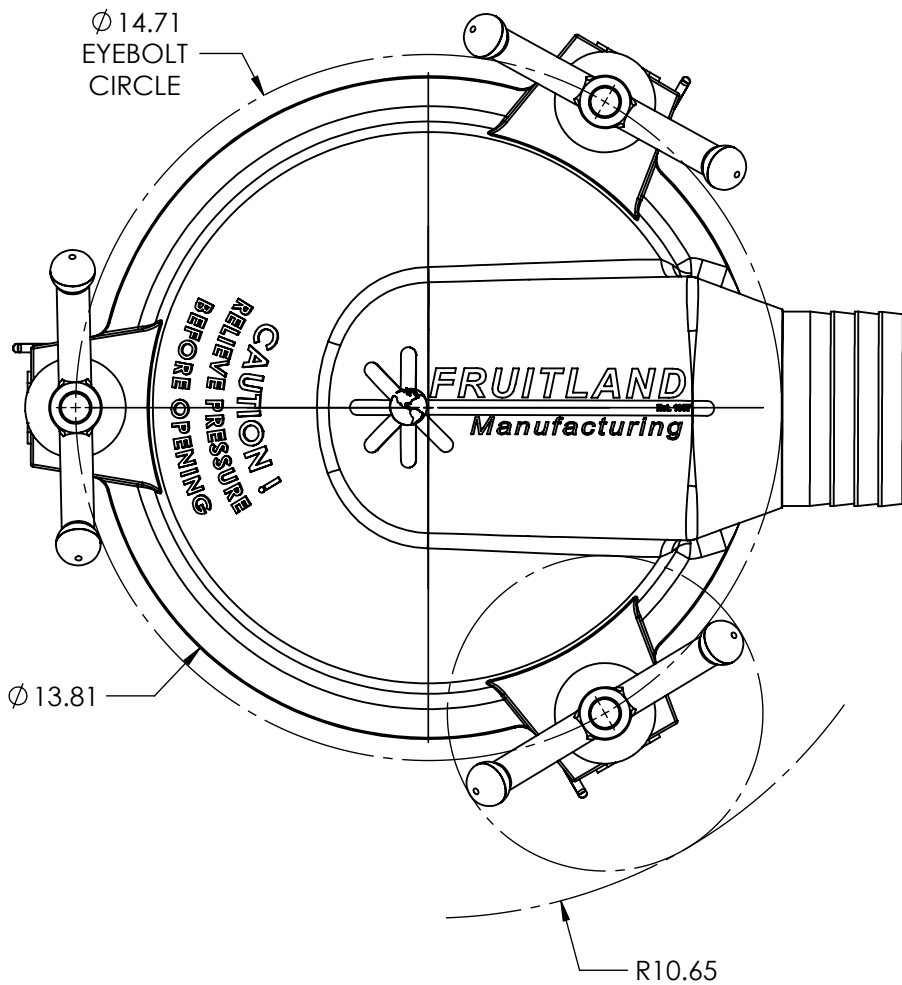
**PART #: P12LP-12N3W4HB-AC**  
(12" NECK, 4" BARB)

**AC: ALUMINUM LID &  
CARBON STEEL NECK**




**PROPRIETARY AND CONFIDENTIAL**  
THE INFORMATION CONTAINED IN THIS DRAWING IS THE SOLE PROPERTY OF **FRUITLAND MANUFACTURING**. ANY REPRODUCTION IN PART OR AS A WHOLE WITHOUT THE WRITTEN PERMISSION OF FRUITLAND MFG. IS PROHIBITED.

	NAME	DATE	 324 Leaside Avenue Stoney Creek, Ontario, CANADA L8E 2N7 Phone: (905) 662-6552 Fax: (905) 662-5412
CREATED	I.P.	12/08/2020	
CHECKED	K.A.		
UNLESS OTHERWISE SPECIFIED: DIMENSIONS ARE IN INCHES TOLERANCES: FRACTIONAL OR .X = ±.015 .XX = ±.010 .XXX = ±.005			TITLE: 12in Primary Low Profile with 6in Neck & 3in Barb. Aluminum Lid & Carbon Steel Neck  DWG. NO. P12LP-6N3W3HB-AC  REV PO
MATERIAL	--	SCALE:	WEIGHT:--
		SHEET 1 OF 2	



**PART #: P12LP-6N3W3HB-AC**

**PROPRIETARY AND CONFIDENTIAL**  
 THE INFORMATION CONTAINED IN THIS  
 DRAWING IS THE SOLE PROPERTY OF  
**FRUITLAND MANUFACTURING**. ANY  
 REPRODUCTION IN PART OR AS A  
 WHOLE WITHOUT THE WRITTEN  
 PERMISSION OF FRUITLAND MFG. IS  
 PROHIBITED.

	NAME	DATE	 324 Leaside Avenue Stoney Creek, Ontario, CANADA L8E 2N7 Phone: (905) 662-6552 Fax: (905) 662-5412
CREATED	I.P.	12/08/2020	
CHECKED	K.A.		TITLE: 12in Primary Low Profile with 6in Neck & 3in Barb Aluminum Lid & Carbon Steel Neck
UNLESS OTHERWISE SPECIFIED: DIMENSIONS ARE IN INCHES TOLERANCES: FRACTIONAL OR .X = ±.015 .XX = ±.010 .XXX = ±.005			DWG. NO. P12LP-6N3W3HB-AC
MATERIAL	--	SCALE:	WEIGHT:-- SHEET 2 OF 2