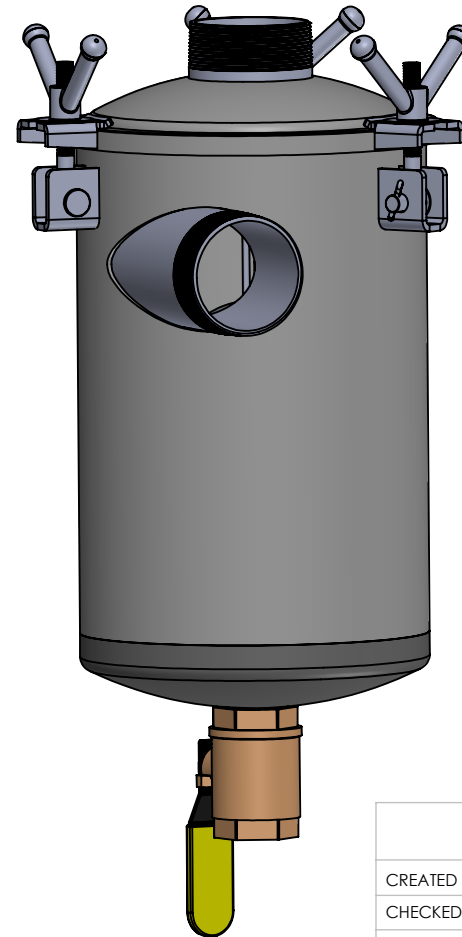
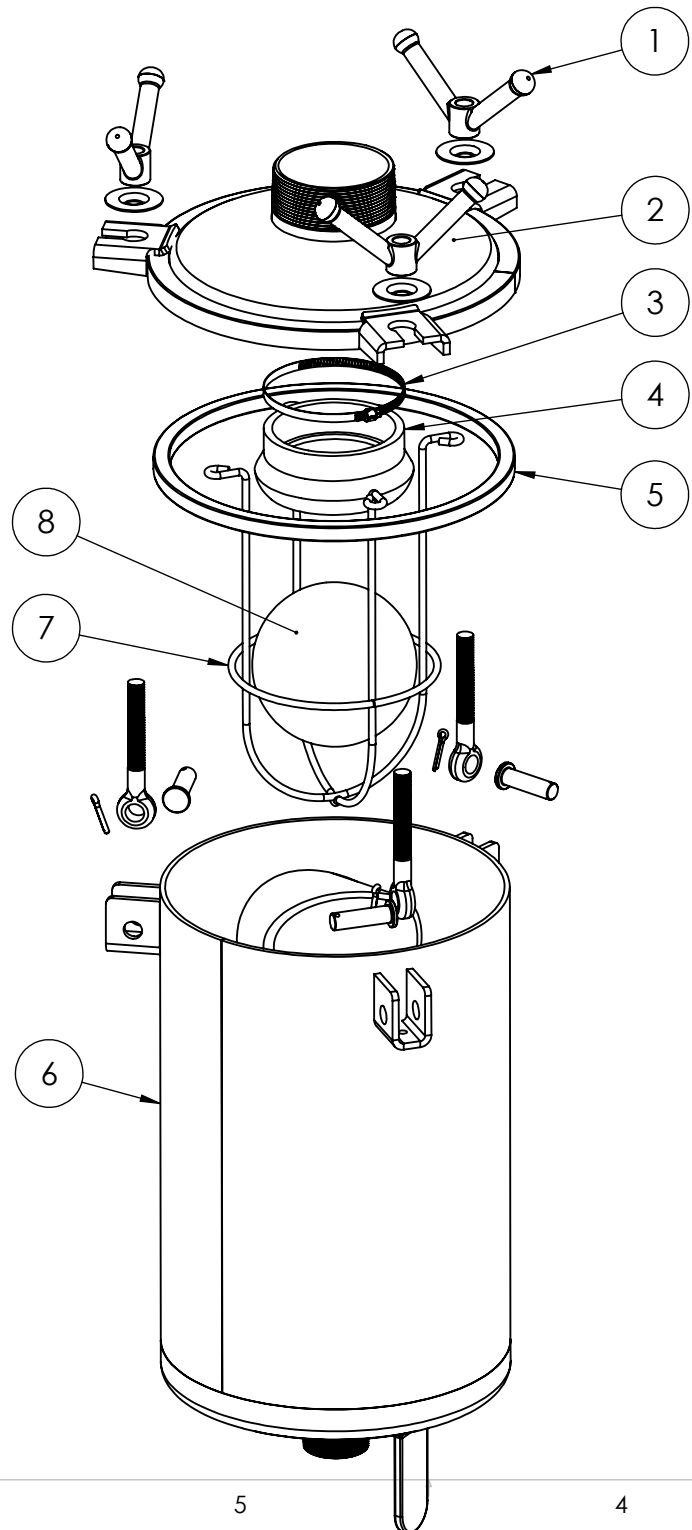



| ITEM # | PART # | DESCRIPTION | QTY. |
|--------|-----------------|--|------|
| 1 | WNKIT5 | 5 PC. WING NUT KIT: WN01, WN02, WN03, WN05, WN06 | 3 |
| 2 | P12L-3W4M-CS | Ø12" PRIMARY LID ASSEMBLY, 4" NPT | 1 |
| 3 | S09-A-20 | 3"- 5" Hose Clamp | 1 |
| 4 | S14-A-12 | 4" Pipe Rubber Seal | 1 |
| 5 | MW12-G | 12" ID Square Gasket (.59 x .59) | 1 |
| 6 | S12N-18N3W4M-CS | Ø12" SECONDARY NECK ASSEMBLY, 18" TALL, 4" NPT | 1 |
| 7 | BC6S-13 | 6" Ball Cage, 13" LONG | 1 |
| 8 | S09-A-04 | 6" S.S Float Ball | 1 |
| 9 | 2NPTBV | 2" NPT BALL VALVE | 1 |



PART# S12-18N3W4M-CS

PROPRIETARY AND CONFIDENTIAL
 THE INFORMATION CONTAINED IN THIS DRAWING IS THE SOLE PROPERTY OF **FRUITLAND MANUFACTURING**. ANY REPRODUCTION IN PART OR AS A WHOLE WITHOUT THE WRITTEN PERMISSION OF FRUITLAND MFG. IS PROHIBITED.

| | | | | |
|---|---------------|---|--|-----------------------------|
| NAME | DATE |  | 324 Leaside Avenue Stoney Creek, Ontario, CANADA L8E 2N7 Phone: (905) 662-6552 Fax: (905) 662 9875 | |
| CREATED | K.A. 10/12/17 | | TITLE: | 12" SECONDARY, 12GAL, 4"NPT |
| CHECKED | | DWG. NO. | S12-18N3W4M-CS | REV P1 |
| UNLESS OTHERWISE SPECIFIED: DIMENSIONS ARE IN INCHES TOLERANCES: FRACTIONAL OR .X = ±.015 .XX = ±.010 .XXX = ±.005 | | SCALE: 1:7 | WEIGHT:-- | SHEET 1 OF 2 |
| MATERIAL | -- | | | |

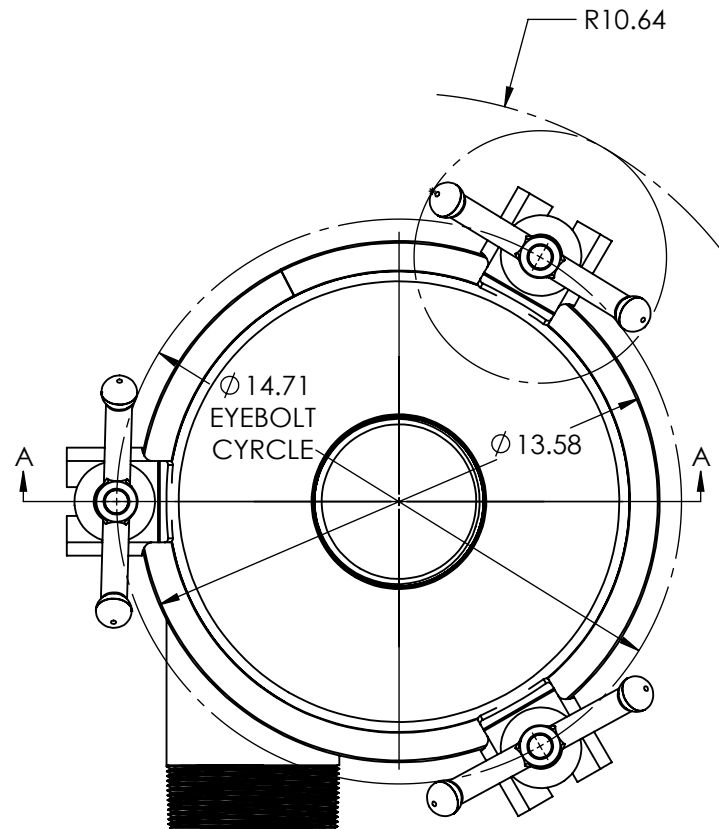
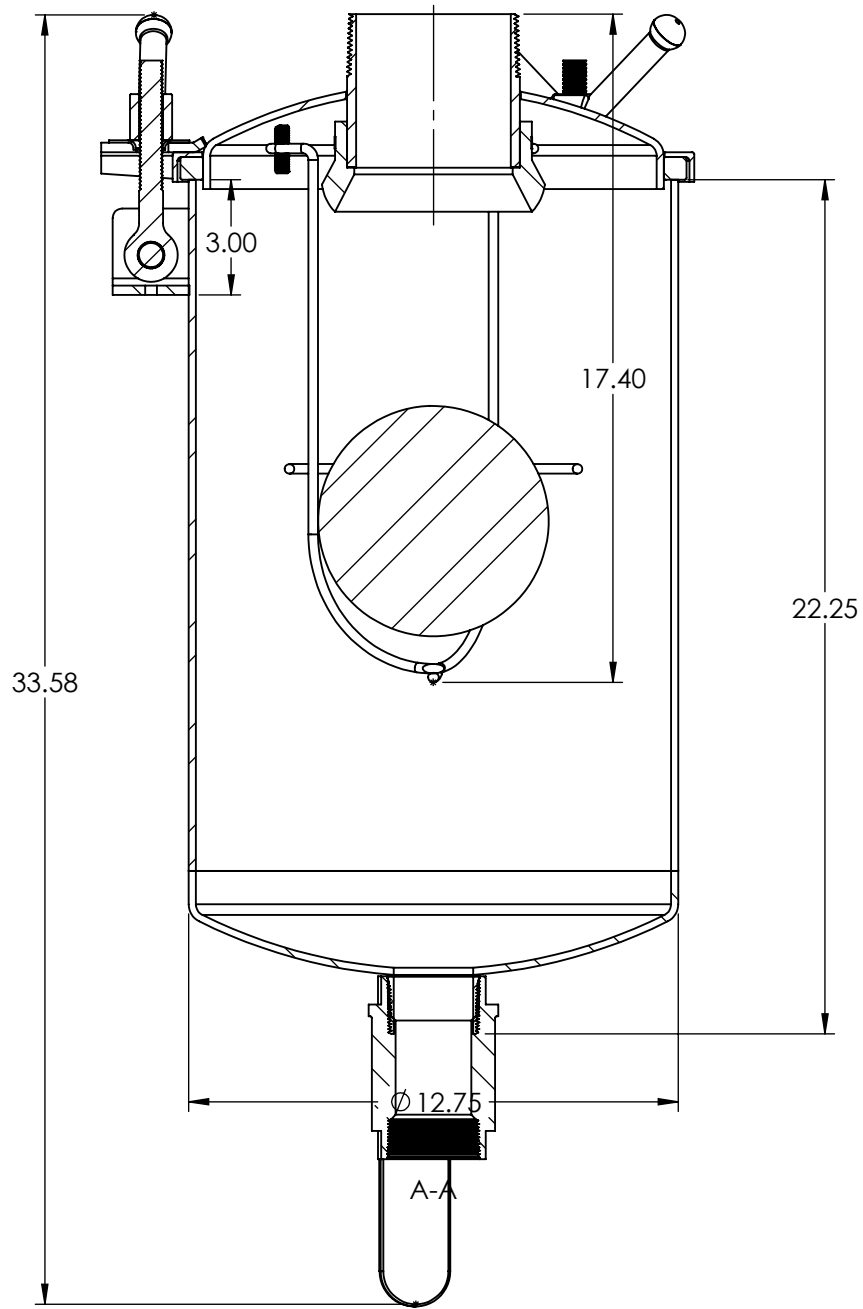
5

4


3

2

1



PART# S12-18N3W4M-CS

| | | | | | |
|---|------|----------|---|--|-----------------------------|
| | NAME | DATE |  | 324 Leaside Avenue Stoney Creek, Ontario, CANADA L8E 2N7 Phone: (905) 662-6552 Fax: (905) 662 9875 | |
| CREATED | K.A. | 10/12/17 | | TITLE: | 12" SECONDARY, 12GAL, 4"NPT |
| CHECKED | | | DWG. NO. | S12-18N3W4M-CS | REV P1 |
| UNLESS OTHERWISE SPECIFIED: DIMENSIONS ARE IN INCHES TOLERANCES: FRACTIONAL OR .X = ±.015 .XX = ±.010 .XXX = ±.005 | | | SCALE: 1:7 | WEIGHT:-- | SHEET 2 OF 2 |
| MATERIAL | -- | | | | |

PROPRIETARY AND CONFIDENTIAL
 THE INFORMATION CONTAINED IN THIS DRAWING IS THE SOLE PROPERTY OF **FRUITLAND MANUFACTURING**. ANY REPRODUCTION IN PART OR AS A WHOLE WITHOUT THE WRITTEN PERMISSION OF FRUITLAND MFG. IS PROHIBITED.