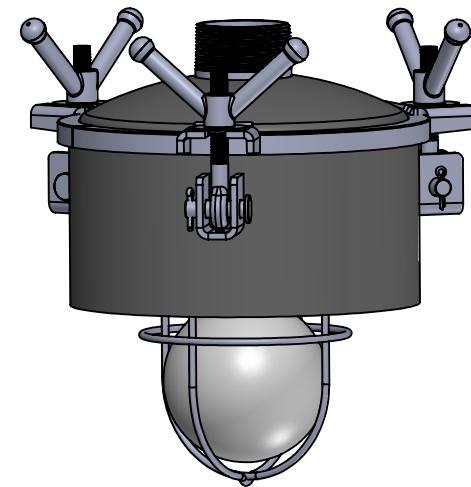
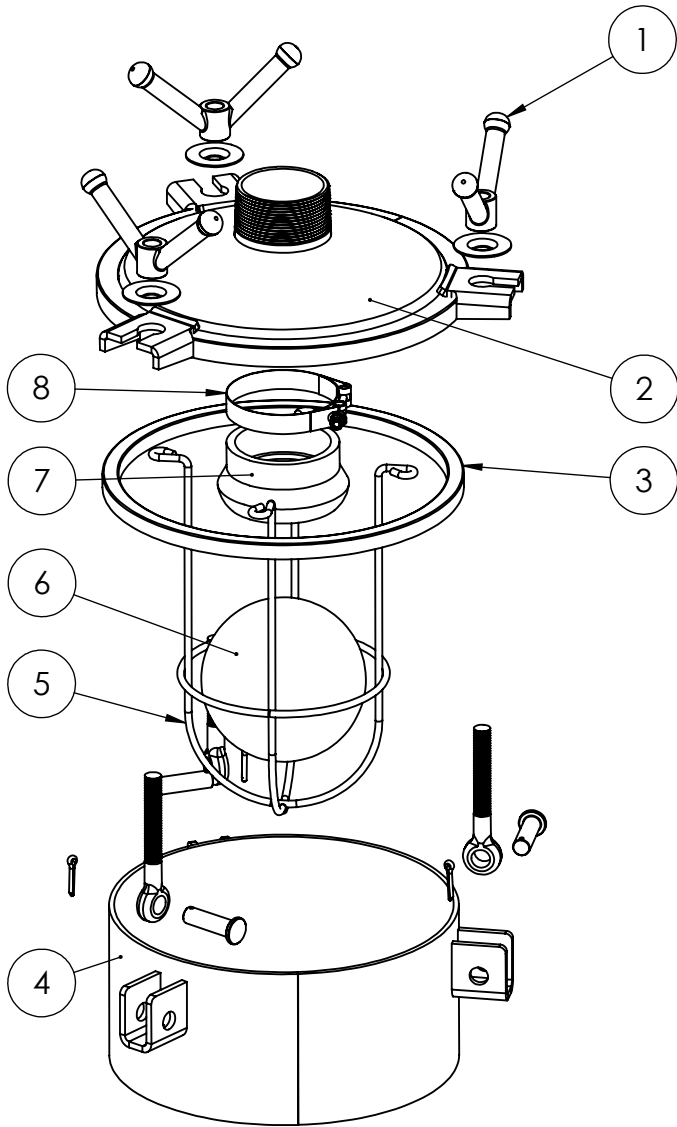



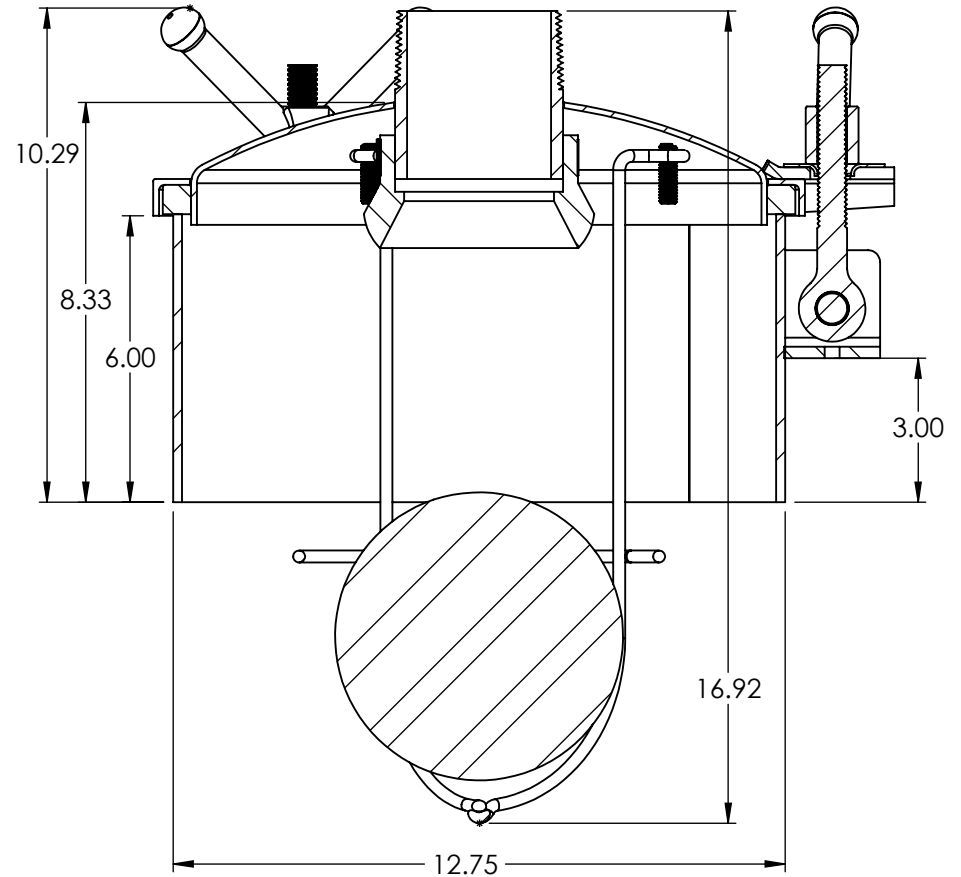
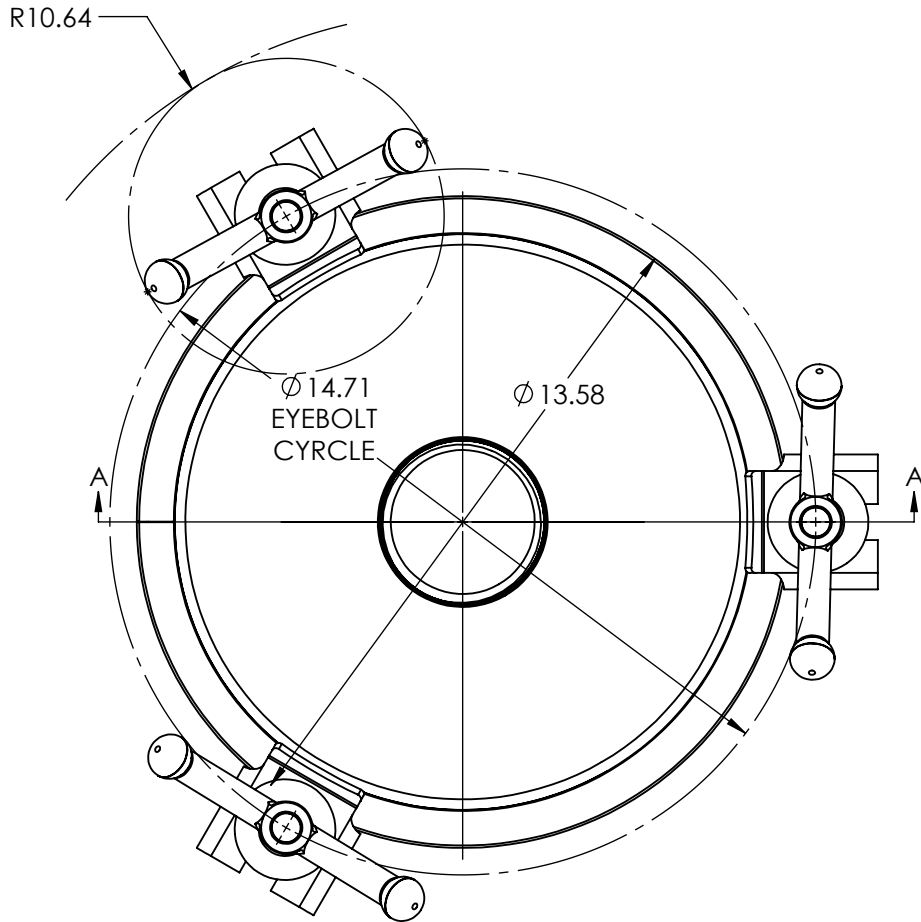
ITEM #	PART #	DESCRIPTION	QTY.
1	WNKIT5	5 PC. WING NUT KIT: WN01, WN02, WN03, WN05, WN06	3
2	P12L-3W3M-CS	Ø12" PRIMARY, 3" NPT LID ASSM.	1
3	MW12-G	12" ID Square Gasket (.59 x .59)	1
4	MW12N-6N3W-CS	Ø12" PRIMARY, 6" NECK ASSM	1
5	S09-A-04	6" S.S. FLOAT BALL	1
6	BC6S-13	6" BALL CAGE, 13" LONG	1
7	S09-A-12	3" PIPE RUBBER SEAL	1
8	S09-A-20	3"- 5" HOSE CLAMP	1



PART# P12-6N3W3M-CS


	NAME	DATE		324 Leaside Avenue Stoney Creek, Ontario, CANADA L8E 2N7 Phone: (905) 662-6552 Fax: (905) 662 9875	
CREATED	A.B.	8/28/19		TITLE:	12" PRIMARY, 6" NECK, 3"NPT M
CHECKED			DWG. NO.	P12-6N3W3M-CS	REV P1
UNLESS OTHERWISE SPECIFIED: DIMENSIONS ARE IN INCHES TOLERANCES: FRACTIONAL OR .X = ±.015 .XX = ±.010 .XXX = ±.005			SCALE: 1:7	WEIGHT:--	SHEET 1 OF 2
MATERIAL	--				

PROPRIETARY AND CONFIDENTIAL
 THE INFORMATION CONTAINED IN THIS DRAWING IS THE SOLE PROPERTY OF **FRUITLAND MANUFACTURING**. ANY REPRODUCTION IN PART OR AS A WHOLE WITHOUT THE WRITTEN PERMISSION OF FRUITLAND MFG. IS PROHIBITED.



A-A

PART# P12-6N3W3M-CS

	NAME	DATE		324 Leaside Avenue Stoney Creek, Ontario, CANADA L8E 2N7 Phone: (905) 662-6552 Fax: (905) 662 9875
CREATED	A.B.	8/28/19		
CHECKED			TITLE:	
UNLESS OTHERWISE SPECIFIED: DIMENSIONS ARE IN INCHES TOLERANCES: FRACTIONAL OR .X = ±.015 .XX = ±.010 .XXX = ±.005			12" PRIMARY, 6" NECK, 3"NPT M	
MATERIAL			--	SCALE: 1:7
			WEIGHT:--	SHEET 2 OF 2
			DWG. NO.	REV
			P12-6-3W3M-CS	P1

PROPRIETARY AND CONFIDENTIAL
 THE INFORMATION CONTAINED IN THIS
 DRAWING IS THE SOLE PROPERTY OF
FRUITLAND MANUFACTURING. ANY
 REPRODUCTION IN PART OR AS A
 WHOLE WITHOUT THE WRITTEN
 PERMISSION OF FRUITLAND MFG. IS
 PROHIBITED.