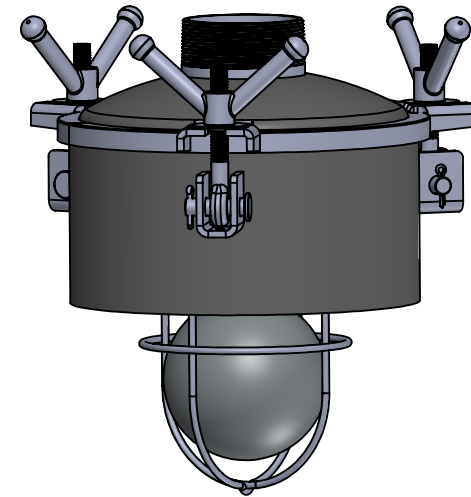
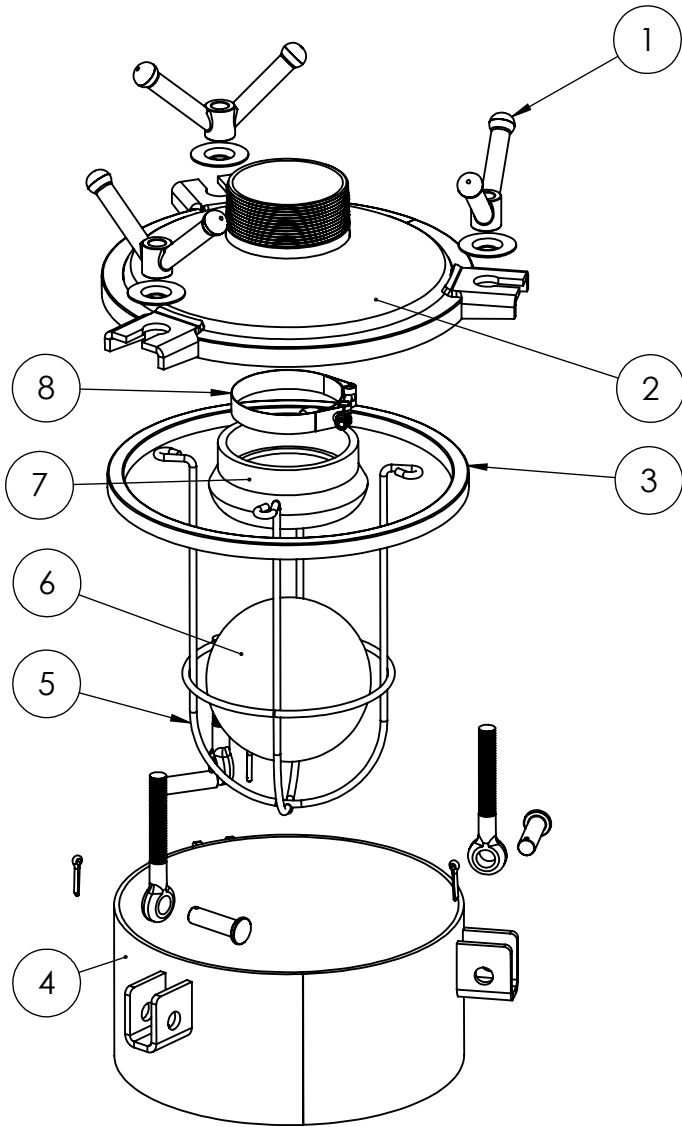



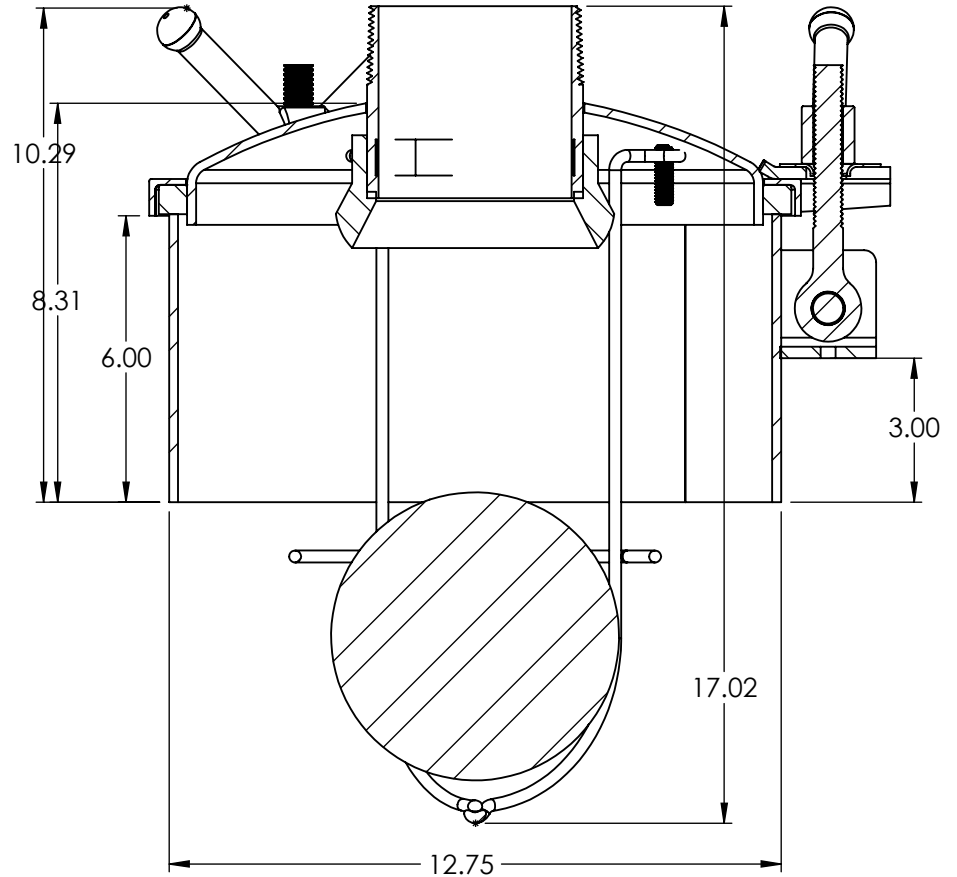
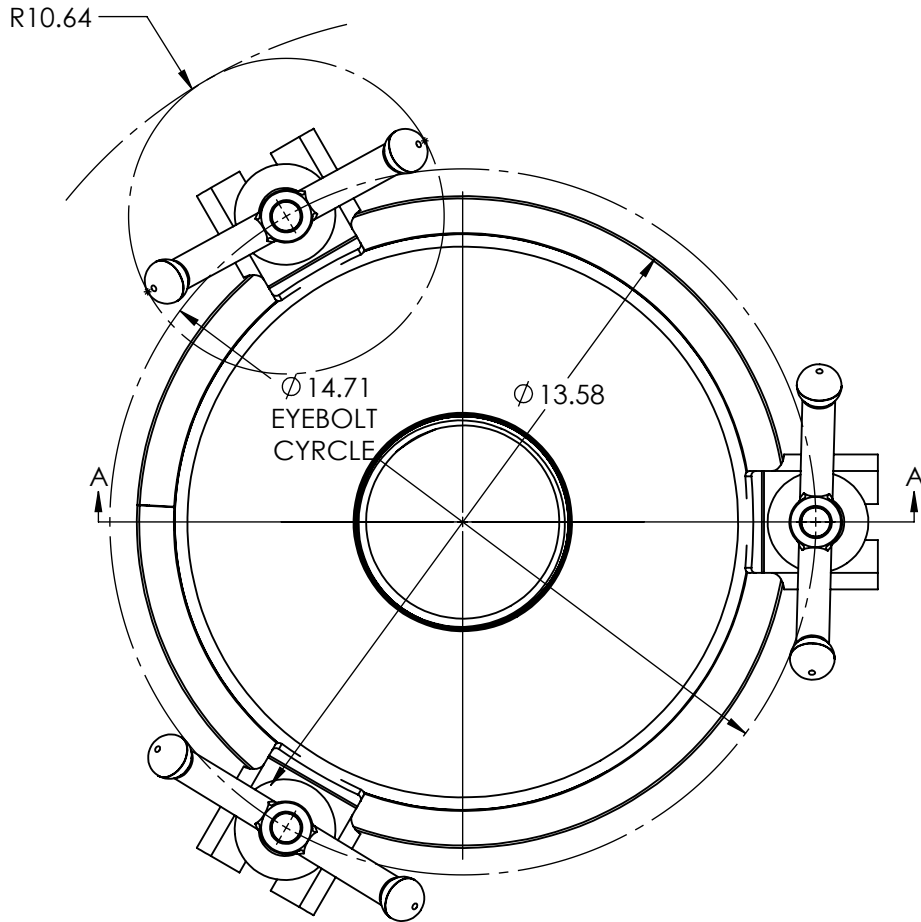
ITEM #	PART #	DESCRIPTION	QTY.
1	WNKIT5	5 PC. WING NUT KIT: WN01, WN02, WN03, WN05, WN06	3
2	P12L-3W4M-CS	Ø12" PRIMARY, 4" NPT LID ASSM.	1
3	MW12-G	12" ID Square Gasket (.59 x .59)	1
4	MW12N-6N3W-CS	Ø12" MANWAY NECK ASSEMBLY, 6" TALL	1
5	S09-A-04	6" S.S FLOAT BALL	1
6	BC6S-13	6" BALL CAGE, 13" LONG	1
7	S14-A-12	4" PIPE RUBBER SEAL	1
8	S09-A-20	3"- 5" HOSE CLAMP	1



PART# P12-6N3W4M-CS

PROPRIETARY AND CONFIDENTIAL
 THE INFORMATION CONTAINED IN THIS DRAWING IS THE SOLE PROPERTY OF **FRUITLAND MANUFACTURING**. ANY REPRODUCTION IN PART OR AS A WHOLE WITHOUT THE WRITTEN PERMISSION OF FRUITLAND MFG. IS PROHIBITED.


NAME	DATE		324 Leaside Avenue Stoney Creek, Ontario, CANADA L8E 2N7 Phone: (905) 662-6552 Fax: (905) 662 9875			
CREATED	A.B. 8/28/19		TITLE:	12" PRIMARY, 6" NECK, 4"NPT M		
CHECKED		DWG. NO.	P12-6N3W4M-CS	REV P1		
UNLESS OTHERWISE SPECIFIED: DIMENSIONS ARE IN INCHES TOLERANCES: FRACTIONAL OR .X = ±.015 .XX = ±.010 .XXX = ±.005		MATERIAL	--	SCALE: 1:7	WEIGHT:--	SHEET 1 OF 2



A-A

PART# P12-6N3W4M-CS

PROPRIETARY AND CONFIDENTIAL
 THE INFORMATION CONTAINED IN THIS DRAWING IS THE SOLE PROPERTY OF **FRUITLAND MANUFACTURING**. ANY REPRODUCTION IN PART OR AS A WHOLE WITHOUT THE WRITTEN PERMISSION OF FRUITLAND MFG. IS PROHIBITED.

	NAME	DATE		324 Leaside Avenue Stoney Creek, Ontario, CANADA L8E 2N7 Phone: (905) 662-6552 Fax: (905) 662 9875	
CREATED	A.B.	8/28/19			
CHECKED			TITLE:		
UNLESS OTHERWISE SPECIFIED: DIMENSIONS ARE IN INCHES TOLERANCES: FRACTIONAL OR .X = ±.015 .XX = ±.010 .XXX = ±.005			12" PRIMARY, 6" NECK, 4"NPT M		
MATERIAL			--	DWG. NO. P12-6N3W4M-CS	REV P1
			SCALE: 1:7	WEIGHT:--	SHEET 2 OF 2

5

4

3

2

1