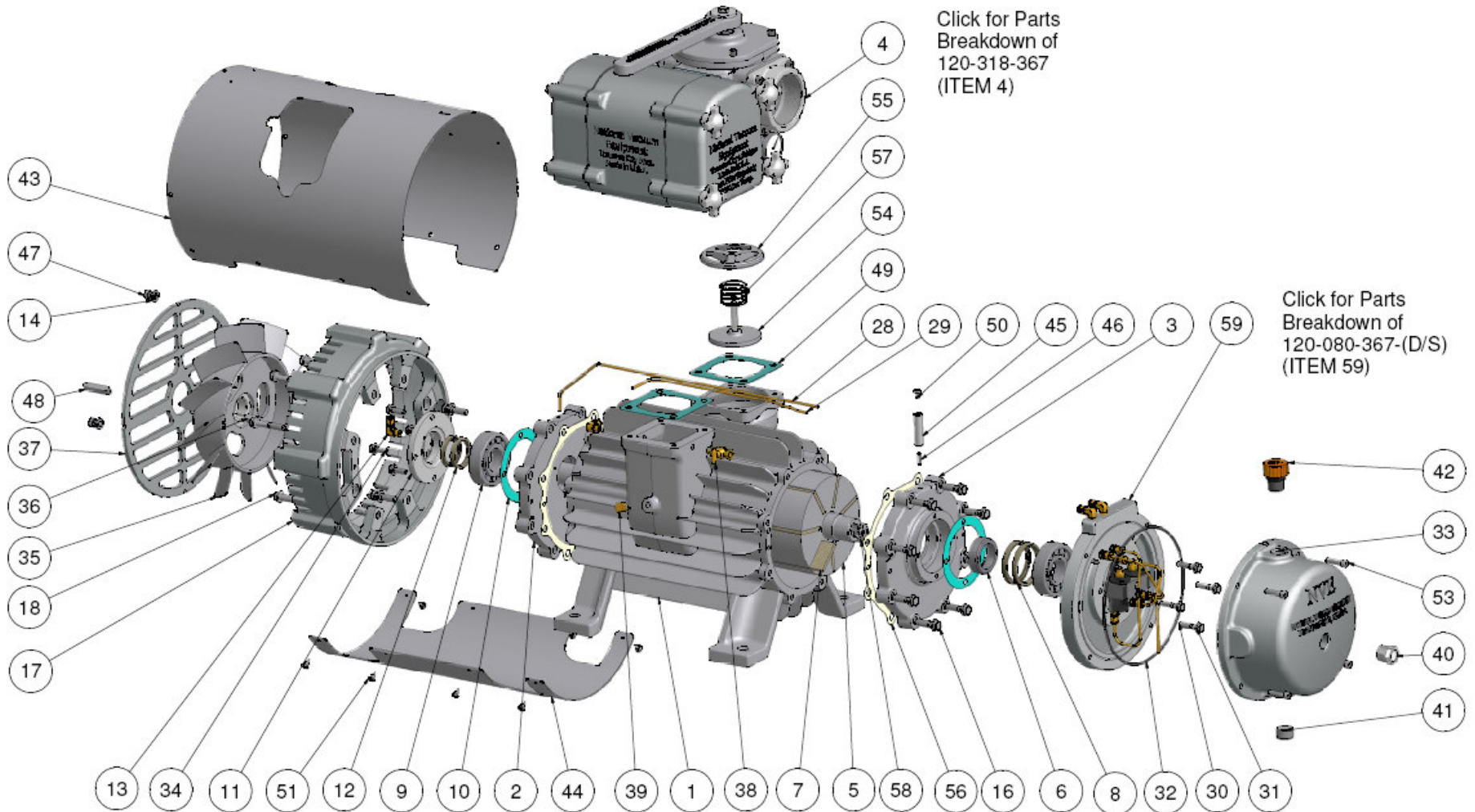


# 367 Fan Cooled Challenger

100-367-FD (CW) & 100-367-FS (CCW)



**FAN COOLED PUMP – 367 CHALLENGER**

ITEM	QTY	PART NUMBER	DESCRIPTION
1	1	120-001-367	Housing, 367 Pinned Endplate
2	1	120-003-367-D	End Plate, 367 RH Turning
3	1	120-003-367-S	End Plate, 367 LH Turning
4	1	120-318-367	4-Way Valve & Filter Assy 3"
5	1	120-005-367	Rotor, Hvy Dty 360 Slotting
6	2	120-009-367	Seal Sleeve, 360HD & 367
7	7	120-007-367	Vane: 350, 360 & 367
8	4	120-018-367	Seal, 60x72x8 Viton Sgl Lip
9	2	120-019-367	Bearing, NJ 308 L1308B
10	2	120-055-367	Gasket, Front Bearing Cover
11	1	120-054-367	Bearing Cover, 360 & 367
12	2	120-053	Seal, 40x52x7 Viton
13	2	320-002	Oil Fitting (4mm x 1/8"NPT Elbow)
14	18	B8-0601	Flat Washer (3/8")
15	2	B8-0603	Lock Washer, 3/8"
16	10	B1-0612	Bolt, HHCS 3/8"16UNC x 1 1/2"
17	1	120-074-367	Fan Shroud, 360/367
18	6	B1-0618	Bolt, HHCS 3/8"16UNC x 2 1/4"
28	1	320-024-367	Oil Line, 367 - FRT BRG
29	1	320-025-367-D	Oil Line, 367 CW - Intake
30	4	B1-0512	Bolt, HHCS 5/16"UNC x 1 1/2"
31	12	B8-0503	5/16 Lock Washer
32	1	120-081	O-Ring, 2-270 Nitrile
33	1	120-082	Oil Tank, 360 & 460
34	8	B1-0508	Bolt, HHCS 5/16"UNC x 1"
35	1	120-083-367-D	Fan, 367 CW
36	1	120-076	Key, 3/8"x3/8"x1

ITEM	QTY	PART NUMBER	DESCRIPTION
37	1	120-073	Fan Guard, 367, 460, 466 & 506
38	1	120-102	Valve, Drain 1/8" NPT
39	1	120-058	Plug, Brass 1/8" NPT, Hex Hd.
40	1	120-048	Sight Eye, 3/4" NPT, Hex Hd.
41	1	120-047	Drain Plug, 3/4" NPT
42	1	120-010	Oil Cap, 360 thru 466 Plug
43	1	120-071-367-D	Shroud, 367 Top
44	1	120-070-367.	Shroud, 367 Bottom
45	1	120-077-367	Shroud Support, 360 & 367
46	1	B3-0406	Set Screw, 1/4"20UNC x 3/4"
47	4	B1-0604	Bolt, HHCS 3/8"16UNC x 1/2"
48	1	120-006	Key, 3/8"x3/8"x1
49	2	120-039-367	Gasket, Flange Int/Exh
50	1	B2-0403	Screw, 1/4" x 3/8" Button Head
51	8	B5-0405	Screw, Tech Self Tapping 1/4"
53	4	B2-0510	Screw, SHCS 5/16" UNC x 1 1/4"
54	1	120-041-367	Poppet, 3" Check Valve
55	1	120-042-367	Retainer Ring, 3" (360 & 367)
56	2	120-004-367	Gasket, 367 End Plate
57	1	120-046-367	SPRING, CHECK VALVE 367
58	1	320-LF8	Drive Tab