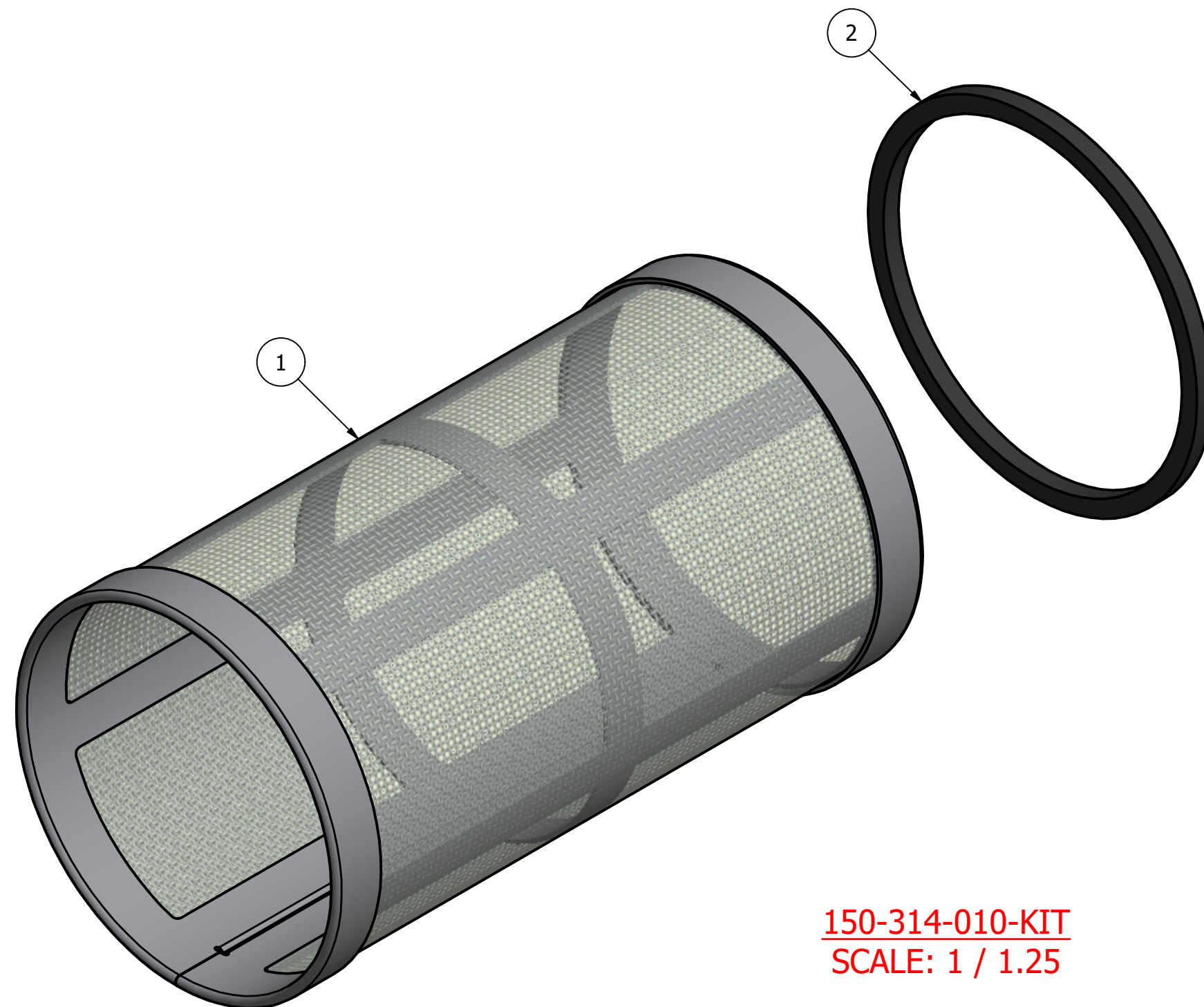
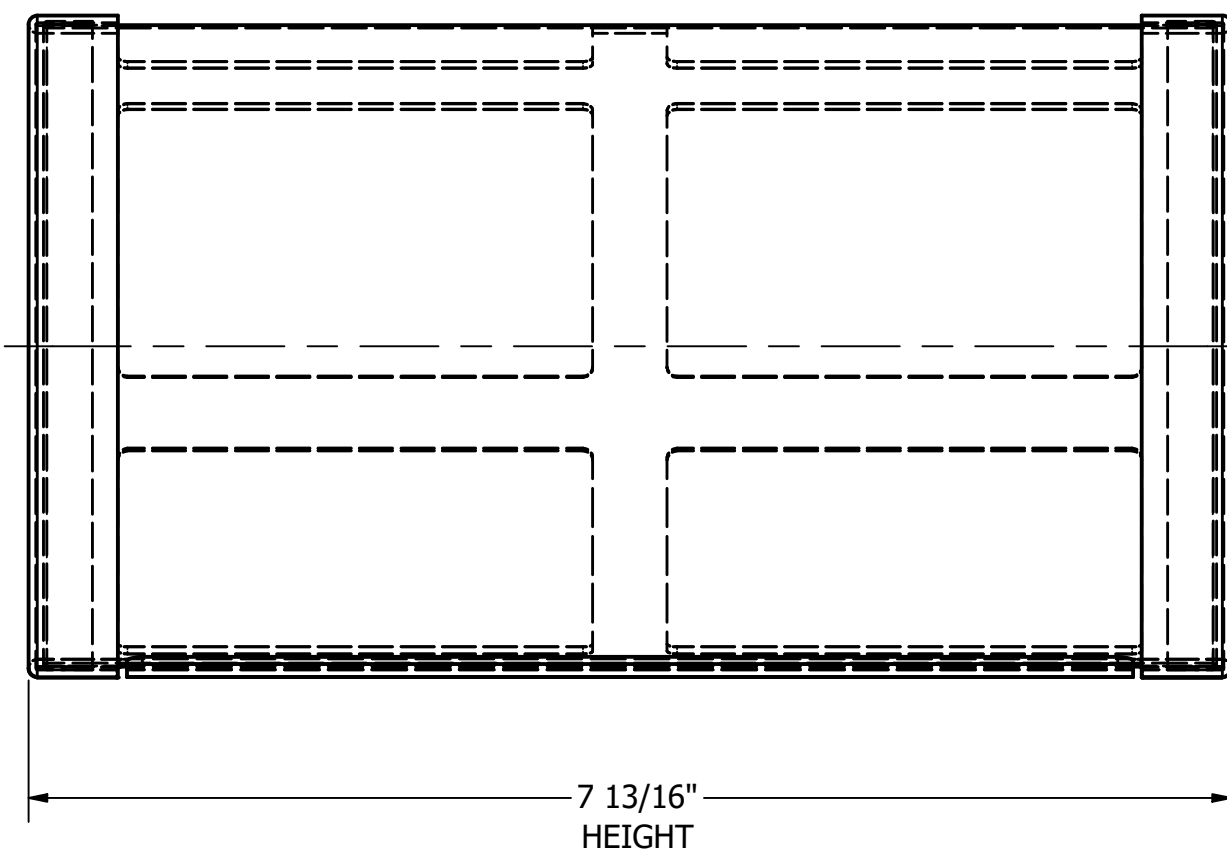
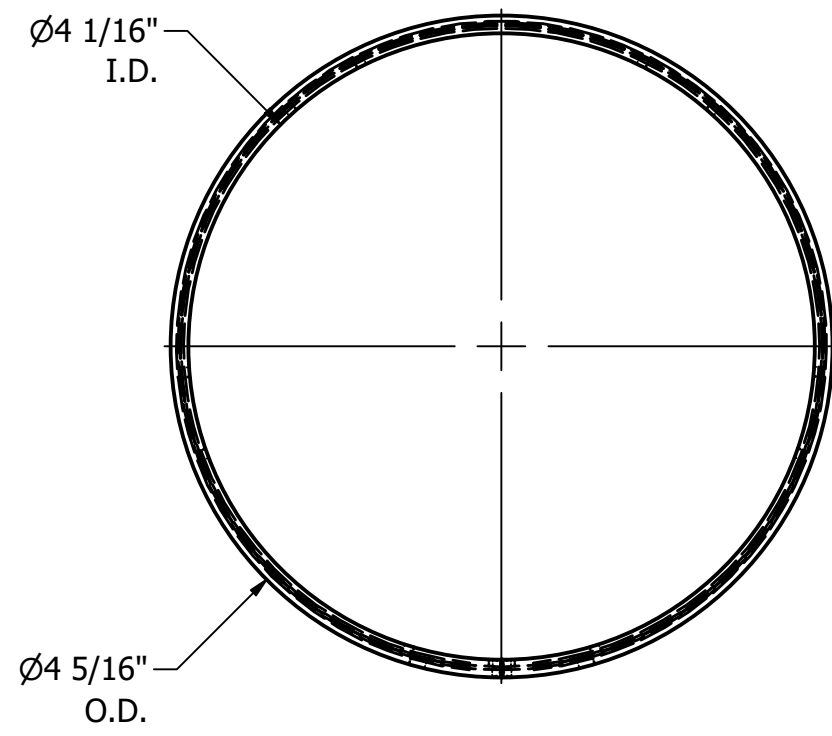


REVISION HISTORY					
REV	DATE	DESCRIPTION	ECN	APPROVED	ZONE
A	8/28/2023	CREATED PRINT	ECN 2886	MSG	-

FILTER DIMENSIONS



150-314-010-KIT
SCALE: 1 / 1.25

PARTS LIST			
ITEM	QTY	PART NUMBER	DESCRIPTION
1	1	150-314-010	INTAKE FILTER 4310 MANUFACTURED
2	1	120-064-036	O-RING SQUARE 7-345 NBR-70

CAD FILE LOCATION: C:\Users\90006488\OneDrive - ONEVIRTUALOFFICE\Documents - National Vacuum Equipment\NVE Vault\CAD - Production\150-314-010-KIT.idw

SHEET SIZE	C
APPROX. WT.	

TOLERANCES UNLESS OTHER WISE SPECIFIED	
One place (.X)	$\pm .1$
Two places (.XX)	$\pm .01$
Three places (.XXX)	$\pm .005$
Angles	$\pm 1^\circ$
Fractional (X/X)	$\pm 1/16$
All machined surfaces 125 RMS max. Remove all burrs and sharp edges. CAD drawing - NO manual changes. All dimensions in inches unless specified.	

NVE National Vacuum Equipment
 2707 Aero Park Drive, Traverse City, MI 49686
 Phone: (231) 941-0215 Fax: (231) 941-2354

PART NAME:
INTAKE FILTER 4310 MANUFACTURED KIT (W/O-RING)

This document may contain confidential trade secret information which is the exclusive property of National Vacuum Equipment. Any information on this drawing is not to be disclosed to anyone not having a "Need to Know." The information contained herein is to be used only in accordance with the best interests of National Vacuum Equipment.

MATERIAL: SEE BOM	
DRAWN BY: MSG	CHECKED BY:
SCALE:	DATE:
SHEET 1 of 1	PART NO. 150-314-010-KIT